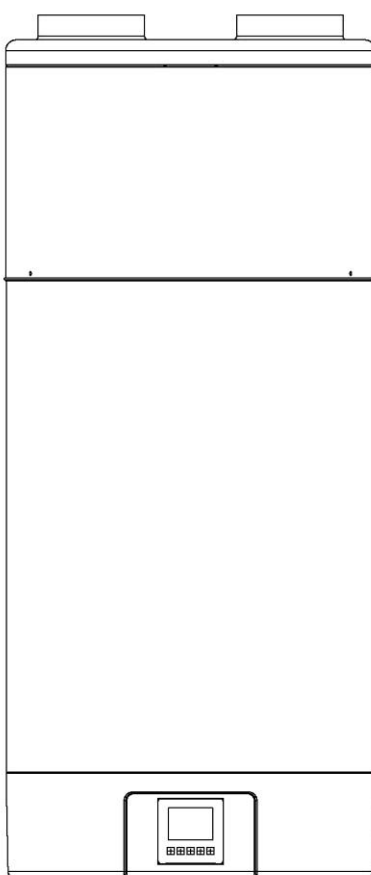


# DOMESTIC HOT WATER HEAT PUMP

## INSTALLATION AND OWNER'S MANUAL



### IMPORTANT NOTE:

Thank you very much for purchasing our product,  
Before using your unit, please read this manual  
carefully and keep it for future reference



## TABLE OF CONTENT

INTRODUCTION .....	3
This manual.....	3
The unit .....	3
SAFETY INSTRUCTIONS .....	4
Warning.....	4
Caution.....	6
ITEMS INSIDE PRODUCT BOX.....	7
OVERVIEW OF THE UNIT.....	8
Parts and descriptions.....	8
Dimensions .....	9
How to replace the magnesium anode.....	10
Schematic overview of the water and refrigeration circuit .....	10
INSTALLATION .....	11
Transportation.....	11
Required service space .....	12
Installation overview.....	13
Installation positions.....	15
Water loop connection .....	15
Water affusion and water emptying .....	16
Wire connection .....	16
Trial running .....	17
OPERATION THE UNIT.....	18
User interface and operation .....	18
LCD icons .....	21
PARAMETER CHECKING AND ADJUSTMENT .....	22
Parameter list.....	22
Malfunctioning of the unit and error codes .....	23
MAINTENANCE .....	25
TROUBLESHOOTING .....	26
ENVIRONMENTAL INFORMATION.....	26
DISPOSAL REQUIREMENTS .....	26
WIRING DIAGRAM .....	27
TECHNICAL SPECIFICATION.....	28
TEMPERATURE SENSOR R-T CONVERSION TABLE.....	29



READ THIS MANUAL CAREFULLY BEFORE STARTING UP THE UNIT. DO NOT THROW IT AWAY. KEEP IT IN YOUR FILES FOR FUTURE REFERENCE.



BEFORE OPERATING THE UNIT, MAKE SURE THE INSTALLATION HAS BEEN CARRIED OUT CORRECTLY BY A PROFESSIONAL DEALER. IF YOU FEEL UNSURE ABOUT OPERATION, CONTACT YOUR DEALER FOR ADVICE AND INFORMATION.

## **INTRODUCTION**

### **This manual**

This manual includes the necessary information about the unit. Please read this manual carefully before you use and maintain the unit.

### **The unit**

The hot water heat pump is one of the most economical systems to heat the water for family domestic use. Using free renewable energy from the air, the unit is highly efficient with low running costs. Its efficiency can be up to 3 ~ 4 times more than conventional gas boilers or electrical heaters.

#### **Waste Heat recovery**

Units can be installed near the kitchen, in the boiler-room or the garage, basically in every room which has a large number of waste-heat so that the unit has the higher energy efficiency even with very low outside temperatures during the winter.

#### **Hot water and dehumidification**

Units can be placed in the laundry room or clothing room. When it produces hot water it lowers the temperature and dehumidifies the room as well. The advantages can be experienced particularly in the humid season.

#### **Storage room cooling**

Units can be placed in the storage room as the low temperature keeps the food fresh.

#### **Hot water and fresh air ventilation**

Units can be placed in the garage, gym, basement etc. When it produces hot water, it cools the room and supplies fresh air.

#### **Compatible with different energy sources**

Units can be compatible with solar panels, external heat pumps, boilers or other different energy sources.

#### **Ecological and Economical Heating**

Units are the most efficient and economical alternative to both fossil fuel boilers and heating systems. By making use of the renewable source in the air, it consumes much less energy.

#### **Compact design**

Units are especially designed for offering sanitary hot water for family use. Its extremely compact structure and elegant design are suitable for indoor installation.

### **Multiple Functions**

The special design of the air inlet and outlet makes the unit suitable for various ways of connections. With different ways of installation, the unit can work as just a heat pump but also as a fresh air blower, a dehumidifier, or an energy recovery device.

### **Other features**

Stainless steel tank and a magnesium stick assure the durability of components and the tank.

High efficiency compressor with R134a refrigerant.

Electrical element available in the unit as a back-up, assuring constant hot water even in extreme cold winters.

## **SAFETY INSTRUCTIONS**

To prevent injury to the user, other people, or property damage, the following instructions must be followed. Incorrect operation due to ignoring of instructions may cause harm or damage.

Install the unit only when it complies with local regulations, by-laws and standards. Check the main voltage and frequency. This unit is only suitable for earthed sockets, connection voltage 220 – 240 V ~ / 50Hz.

The following safety precautions should always be taken into account:

- Be sure to read the following WARNING before installing the unit.
- Be sure to observe the cautions specified here as they include important items related to safety.
- After reading these instructions, be sure to keep it in a handy place for future reference.

## **Warning**



### **Do not install the unit yourself.**

Incorrect installation could cause injury due to fire, electric shock, the unit falling or leakage of water. Consult the dealer from whom you purchased the unit or a specialized installer.

### **Install the unit securely in a place.**

When insufficiently installed, the unit could fall causing injury. The bearing surface should be flat to bear the weight of the unit and suitable for installing the unit without increasing noise or vibration. When installing the unit in a small room, please take measures (like sufficient ventilation) to prevent the asphyxia caused by the leakage of refrigerant.

### **Use the specified electrical wires and attach the wires firmly to the terminal board (connection in such a way that the stress of the wires is not applied to the sections).**

Incorrect connection and fixing could cause a fire.

### **Be sure to use the provided or specified parts for the installation work.**

The use of defective parts could cause an injury due to possible fire, electric shocks, the unit falling etc.

### **Perform the installation securely and please refer to the installation instructions.**

Incorrect installation could cause an injury due to possible fire, electric shocks, the unit falling, leakage of water etc.



**Perform electrical work according to the installation manual and be sure to use a dedicated section, fused with 16A.**  
If the capacity of the power circuit is insufficient or there is an incomplete electrical circuit, it could result in a fire or an electric shock.

**The unit must always have an earthed connection.**  
If the power supply is not earthed, you may not connect the unit.

**Never use an extension cable to connect the unit to the electric power supply.**  
If there is no suitable, earthed wall socket available, have one installed by a recognized electrician.

**Do not move/repair the unit yourself.**  
If the supply cord is damaged, it must be replaced by the manufacturer or its service agent or a similarly qualified person in order to avoid a hazard. Improper movement or repair on the unit could lead to water leakage, electrical shock, injury or fire.

**The unit is no intended for use by children.**  
This appliance is not intended for use by persons (including children) with reduced physical, sensory or mental capabilities, or lack of experience and knowledge, unless they have been given supervision or instruction concerning use of the appliance by a person responsible for their safety.  
Children should be supervised to ensure that they do not play with the appliance.

**Do not tear off the labels on the unit.**  
The labels are for the purpose of warning or reminding, keeping them can ensure your safe operations.

## Caution



**Do not install the unit in a place where there is a chance of flammable gas leaks.**

If there is a gas leak and gas accumulates in the area surrounding the unit, it could cause an explosion.

**Perform the drainage/piping work according to the installation instruction.**

If there is a defect in the drainage/piping work, water could leak from the unit and household goods could get wet and be damaged.

**Do not clean the unit when the power is 'ON'.**

Always shut 'OFF' the power when cleaning or servicing the unit. If not, it could cause an injury due to the high speed running fan or an electrical shock.

**Do not continue to run the unit when there is something wrong or there is a strange smell.**

The power supply needs to be shut 'OFF' to stop the unit; otherwise this may cause an electrical shock or fire.

**Do not put your fingers or others into the fan, or evaporator.**

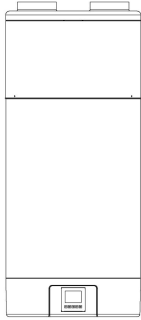
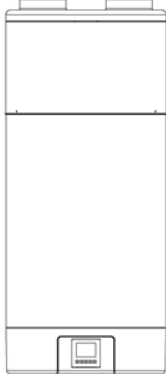



The inside parts of the heat pump may run at high speed or high temperature, they could cause serious injury. Do not remove the grills on the fan outlet and top cover.

The hot water probable need to mix with cold water for terminal usage, too hot water (over 50°C) in the heating unit may cause injury.

The installation height of power supply should be over 1.8m, if any water may spatter, the unit can be safe from water.

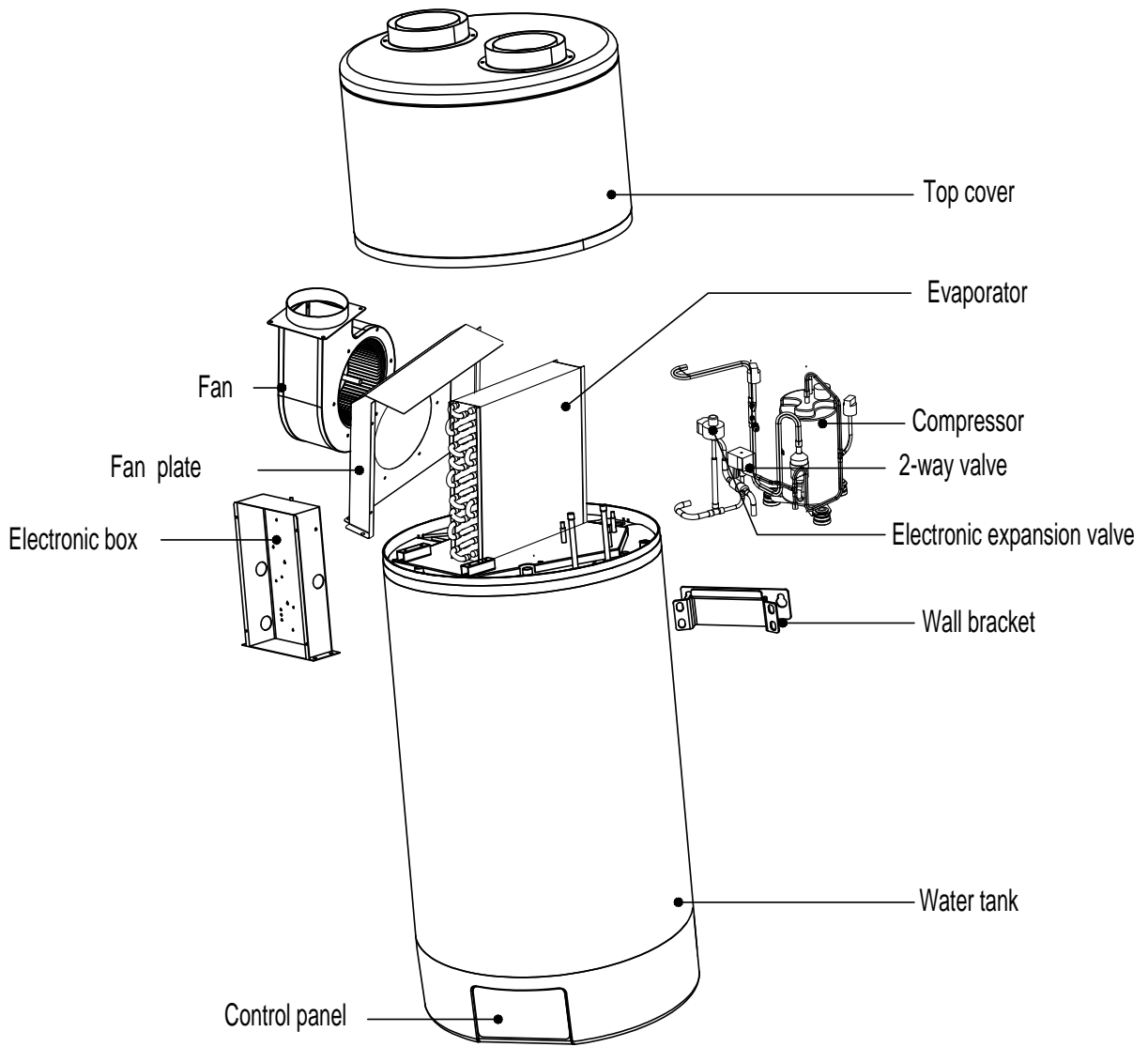
## ITEMS INSIDE PRODUCT BOX

Before starting the installation, please make sure that all parts are found inside the box.

The Unit Box		
Item	Image	Quantity
Domestic hot water heat pump		1
Operation & Installation Manual	<p style="text-align: center;"><b>DOMESTIC HOT WATER HEAT PUMP</b></p> <p style="text-align: center;">INSTALLATION AND OWNER'S MANUAL</p>  <p><small>IMPORTANT NOTE: Thank you very much for purchasing our product, Before using your unit, please read this manual carefully and keep it for future reference</small></p>   	1

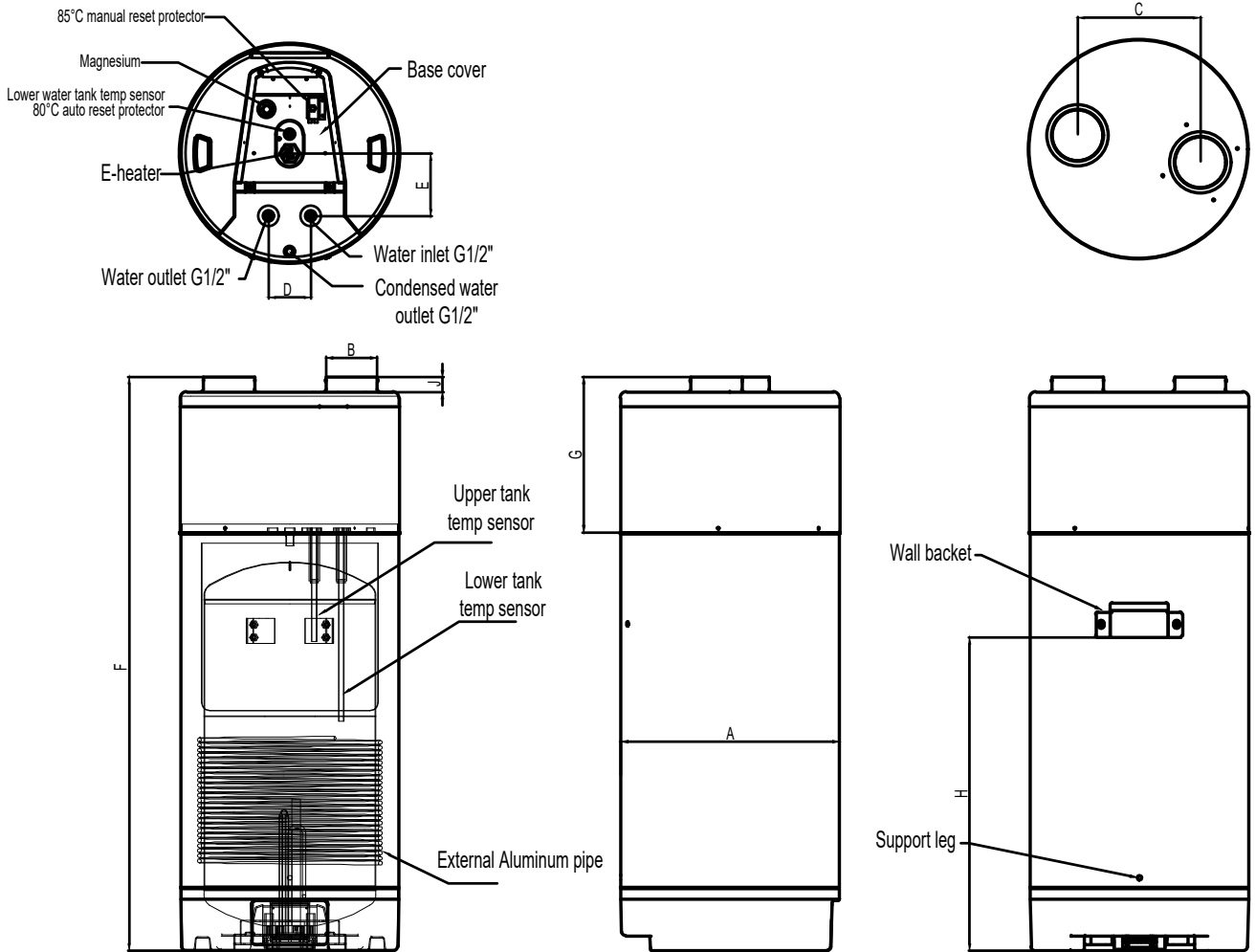
# OVERVIEW OF THE UNIT

## Parts and descriptions



# Dimensions

## Model: 80L-100L



	80L	100L		80L	100L
A	Φ520	Φ520	F	1160	1367.5
B	Φ122	Φ122	G	370	370
C	292	292	H	540	750
D	100	100	J	35	35
E	150	150	\		

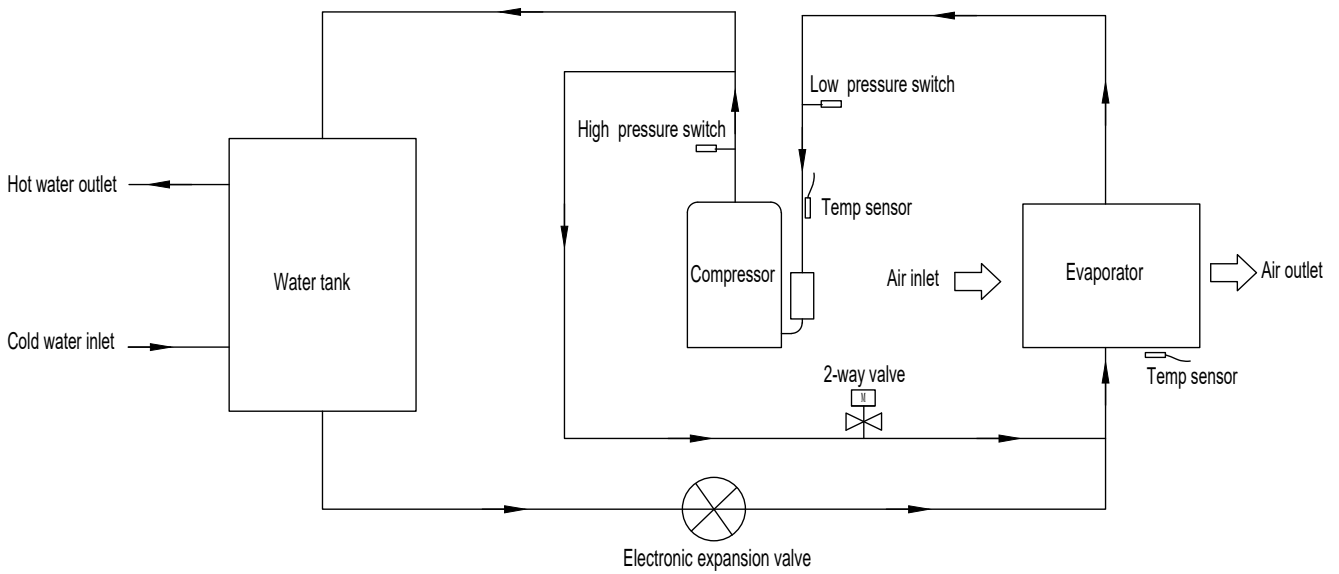
**Remark:**

- 1) The extra heat source is optional.
  - 2) The Magnesium stick is an anti-corrosion element. It is assembled in the water tank to avoid the creation of fur around the inside tank and to protect the tank, and other components. It can help to extend the life-span of the tank.
- Check the magnesium stick every half year and change it if it has been used out !**

**How to replace the magnesium anode** 

- Turn the power of the unit 'OFF' and pull out the plug.
- Drain all the water out of the tank.
- Remove the old magnesium anode from the tank.
- Replace the new magnesium anode.
- Recharge the water.

**Schematic overview of the water and refrigeration circuit**



**Choose the suitable unit**

Please refer to the table below to choose the suitable unit.

Family members	Tank capacity
1 ~ 2 people	80L - 110L

**Note:** The table is just for reference.

## INSTALLATION

### WARNING

- Asked your supplier to install the unit. Incomplete installation performed by yourself may result in a water leakage, electric shock, or fire.
- Indoor installation is highly recommended. It is not allow to install the unit at outdoor or rain achieving place.
- The installation place without direct sunlight and other heat supplies is recommended. If no way to avoid these, please install a covering.
- The unit must be securely fixed to avoid noise and shaking.
- Make sure that there's no remora around the unit.
- In the place where there is strong wind, fix the unit in the location protected from the wind.

## Transportation

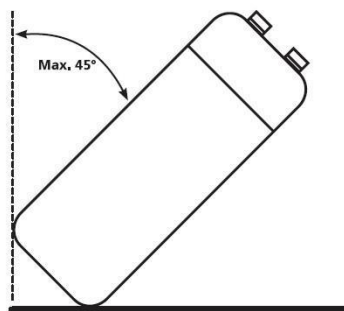
As a rule, the unit is to be stored and/or transported in its shipping container in upright position and without water charge. For a transport over short distance (provided that it is done with care), an inclination angle up to 30 degrees is permitted, both during transport and storage. Ambient temperatures of  $-20$  to  $+70$  degrees Celsius are permitted.

### - Transport using a forklift

When transported by a forklift, the unit must remain mounted on the pallet. The lifting rate should be kept to a minimum. Due to its top-heaviness, the unit must be secured against tipping over. To prevent any damage, the unit must be placed on a level surface.

### - Manual transport

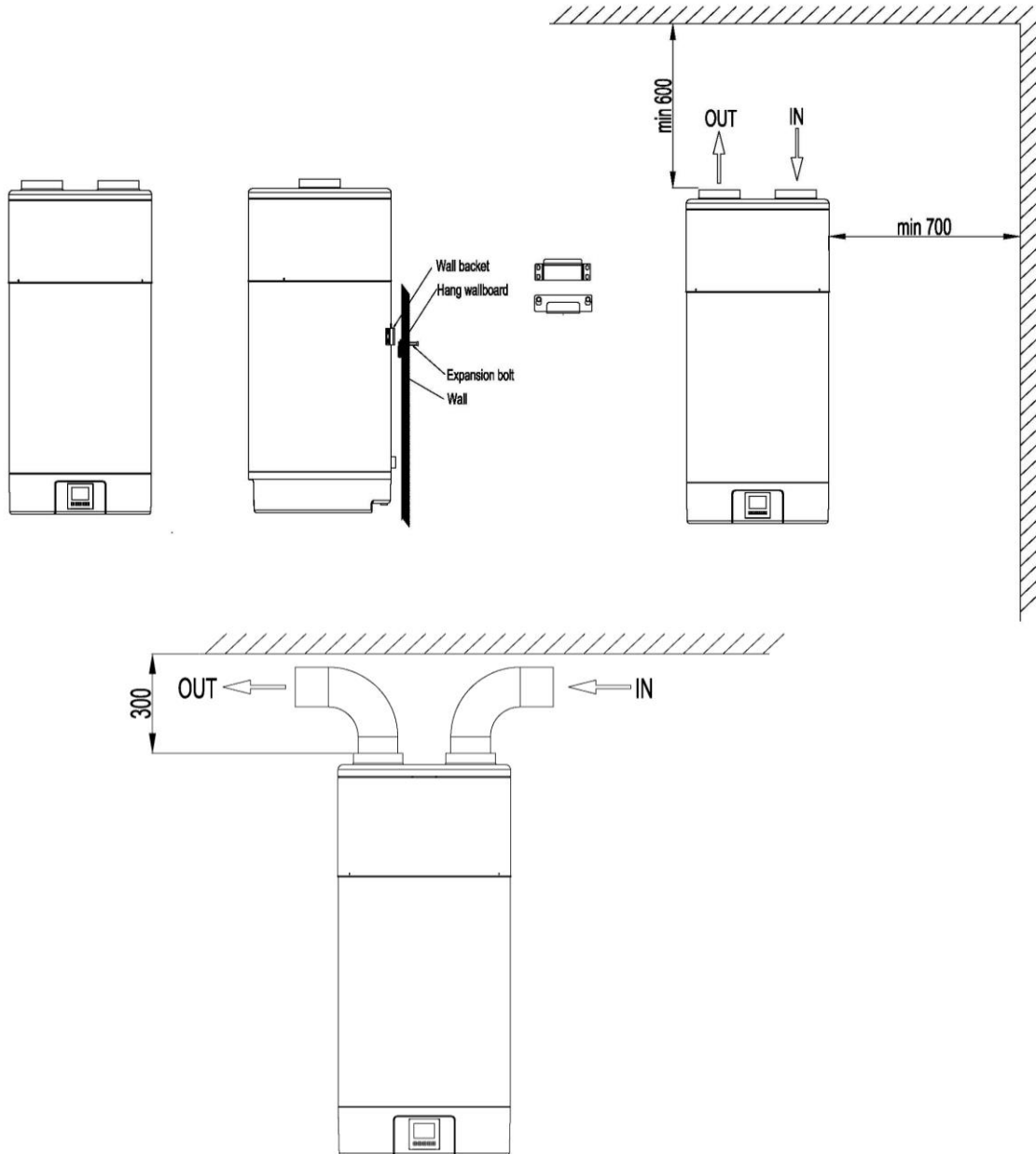
For the manual transport, a wooden/plastic pallet can be used. Using ropes or carrying straps, a second or third handling configuration is possible. With this type of handling, it is advised that the maximum permissible **inclination angle of 45 degree is not exceeded**. If transport in an inclined position cannot be avoided, the unit should be taken into operation one hour after it has been moved into final position.



ATTENTION: DUE TO THE HIGH CENTER OF GRAVITY, LOW OVERTURNING MOMENT, THE UNIT MUST BE SECURED AGAINST TIPPING OVER.

## Required service space

Below you will find the minimum space required to be able to complete service and maintenance tasks on the units.

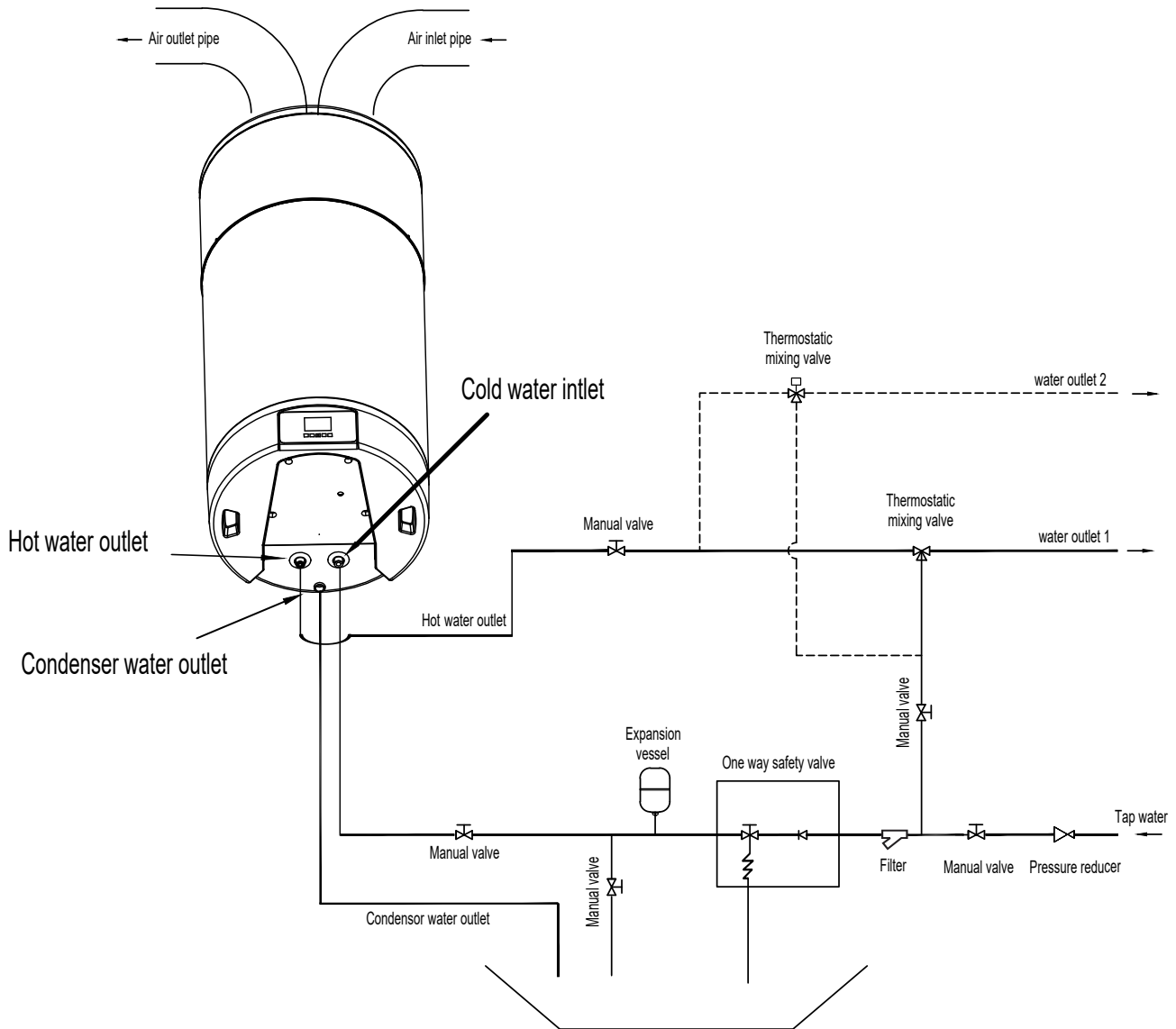


### Note:

- If air inlet and/or outlet pipes are connected, portion airflow and capacity in heat pump unit will lose.
- If the unit connects with air ducts it should be **DN 120mm** for pipes or 120mm internal diameter flexible hose. Total length of the ducts should not be longer than 8m or the maximum **static pressure should not exceed** than **60Pa**. Be in mind of bending site of the duct no more than 4m. An unsuitable type of ducting penalizes the performance of the product and significantly increases the heating time.
- If air inlet and/or outlet pipes aren't connected, it is necessary that the **volume of the room** where is installed the DHW HP is **more than 15m<sup>3</sup>**.



## Installation overview



- Note:**
- It is necessary add an **expansion vessel** according to the tank capacity;
  - It is necessary install a **safety valve** for pressure and temperature;
  - It is necessary install a **pressure reducer**;
  - It is necessary install a **water treatment devices** (softener,filter etc.);



ATTENTION:

- The **one-way safety valve must be installed**. If not, it could cause damage to the unit, or even hurt people. The set point of this safety valve is 0.7 MPa. For the installation place please refer to the pipeline connection sketch.
- The discharge pipe connected to the one-way safety valve is to be installed in a continuously downward direction and in a frost-free environment.
- The water may drip from the discharge pipe of the one-way safety valve and that this pipe must be left open to the atmosphere.
- The one-way safety valve is to be operated regularly to remove lime deposits and to verify that it is not blocked. Please beware of burn, because of the high temperature of water.
- The tank water can be drained through the drainage hole on the bottom of the tank.
- After all the pipes installed turn on the cold water inlet and hot water outlet to fill the tank. When there is water normally following out from water outlet, the tank is full. Turn off all valves and check all pipes. If any leakage, please repair.
- If the inlet water pressure is less than 0.15MPa, a pressure pump should be installed at the water inlet. For ensure the long safety using age of tank at the condition of water supply hydraulic higher than 0.65MPa, **a reducing valve should be mounted** at the water inlet pipe.
- **Filters are needed in the air inlet**. If the unit is connected with ducts, filter in there must be put forward to the air inlet of duct.
- To fluently drain condensate water from evaporator, please install the unit at the horizontal floor. Otherwise, please make sure the drain vent is at the lowest place. Recommending the inclination angle of unit to be ground should no more than 2 degree.

## Installation positions

- (1) Intake and expulsion in the same room in which the machine is installed: the room must be adequately aerated.
- (2) Ducted intake and expulsion: the air can be drawn and expelled to the outside of the home or to a suitably designated room, if the heat pump is not installed in a dedicated room.
- (3) Ducted intake and free expulsion: recommended if the air expelled from the unit must be reused to cool the environment. This air will be cooler and dehumidified compared to the intake air.
- (4) Ducted expulsion and free intake: the air is drawn inside the room where the heat pump is situated. In this case, the idea is to subtract heat from the room and expel it towards the outside. The room must be adequately aerated to prevent the risk of depressurising the environment.



### NOTE:

- Choose the right path to move the unit.
- This unit complies with the relevant technical standards of electrical equipment.
- Units can be installed near the kitchen, in the boiler-room or the garage, basically in every room which has a large number of waste-heat so that the unit has the higher energy efficiency even with very low outside temperatures during the winter
- Units can be placed in the laundry room or clothing room. When it produces hot water it lowers the temperature and dehumidifies the room as well. The advantages can be experienced particularly in the humid season

## Water loop connection

Please pay attention to the below points when connecting the water loop pipe:


1. Try to reduce the water loop resistance
2. Make sure there is nothing in the pipe and the water loop is smooth, check the pipe carefully to see if there is any leak, and then pack the pipe with the insulation.
3. Install the one way valve and safety valve in the water circulation system.
4. The nominal pipe wide of the field- installed sanitary installations must be selected on the basis of the available water pressure and the expected pressure drop within the piping system.
5. The water pipes may be of the flexible type. To prevent corrosion damage, make sure that the materials used in the piping system are compatible.
6. When installing the pipe-work on the customers' site, any contamination of the piping system must be avoided.

## Water affusion and water emptying

### Water Affusion:

If the unit is used for the first time or used again after emptying the tank, please make sure that the tank is full of water before turning on the power.

- Open the cold water inlet and hot water outlet.
- Start the water affusion. When there is water normally flowing out from the hot water outlet, the tank is full.
- Turn off the hot water outlet valve and water affusion is finished.

 **ATTENTION:** Operation without water in water tank may result in damage of auxiliary e-heater!

### Water emptying:

If the unit needs cleaning, moving etc, the tank should be emptied.

- Close the cold water inlet
- Open the hot water outlet and open the manual valve of drainpipe
- Start the water emptying.
- After emptying, close the manual valve.

## Wire connection

- The specification of the **power supply** wire is **3\*1.5 mm<sup>2</sup>**.
- **Fuse** specification is 16A 250V
- The unit must be installed a Creepage Breaker near the power supply and must be effectively earthed. The specification of the creepage breaker is 30mA, less than 0.1sec.

THE APPLIANCE SHALL BE INSTALLED IN ACCORDANCE WITH NATIONAL WIRING REGULATIONS.

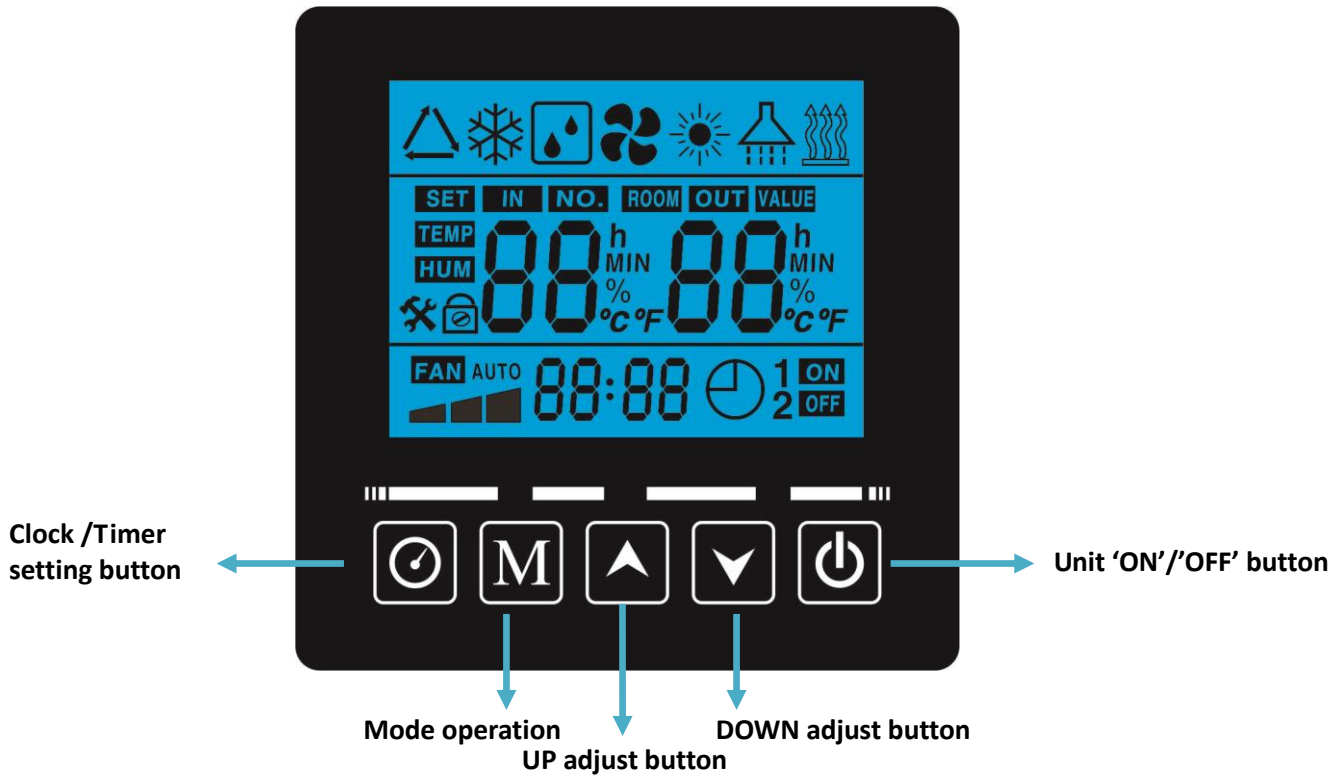
## Trial running

### Checks before trial running

- Check both the water in the tank as well as the water pipe connection.
- Check the power system, make sure that the power supply is normal and the wire connection is ok.
- Check the inlet water pressure, and make sure that the pressure is sufficient (above 0.15Mpa).
- Check if any water flows out from the hot water outlet, and make sure that the tank is full of water before turning on the power.
- Check the unit; make sure everything is ok before turning 'ON' the power of the unit, check the light on the wire controller when the unit runs.
- Use the wire controller to start the unit.
- Listen to the unit carefully when turning 'ON' the power of the unit. Turn the power 'OFF' when you hear an abnormal sound.
- Measure the water temperature, to check the undulation of the water temperature.
- Once the parameters have been set, the user cannot change the parameters optionally. Please use a qualified service person to do this.

## OPERATION THE UNIT

### User interface and operation



### Operations

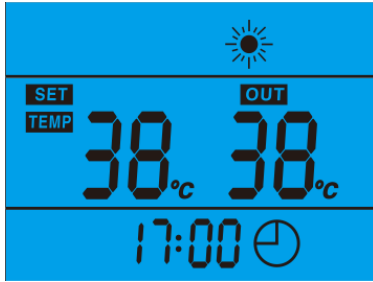
#### 1. Power 'ON'

When turning 'ON' the power, whole icons are displayed on the controller screen for 3 seconds. After checking if everything is ok, the unit enters into the standby mode.



#### 2. button

Press this button and keep for 3 seconds when the unit is standby, the unit can be turned 'ON'. Press this button and keep for 3 seconds when the unit is running, the unit can be turned 'OFF'. Short press this button to exit the parameter setting or checking.



### 3. ▲ And ▼ buttons

- These are the multi-purpose buttons. They are used for the temp setting, parameter setting, parameter checking, clock adjustment and adjustment of the timer.
- During running status, press ▲ or ▼ button to adjust the setting temperature directly.
- Press these buttons when the unit is on clock setting status, the hour(s) and the minute(s) of the clock time can be adjusted.
- Press these buttons when the unit is on timer setting status, the hour(s) and the minute(s) of the timer 'ON'/'OFF' can be adjusted.

### 4. ⌚ button

Clock setting:

- Long press ⌚ 3s to unlock the screen;
- After screen is light, short press ⌚ to entry the clock setting interface, hour icon "88:" flash, press the ▲ and ▼ buttons to set the exact hour(s);
- After hour setting, short press ⌚ button to switch to minute setting, minute":88" flash, press the ▲ and ▼ buttons to set the exact minute(s);
- Press ⌚ button again to confirm and exit.

**Timer setting:**

Press and hold ⌚ the time button 3S to enter the timed on/off setting state. When entering the time setting, press the time button to set the clock and minute of the timed on/off (when the clock or minute flashes, combine ▲ and ▼. The clock and minutes can be adjusted). The timed on/off can be set independently. When the timed "ON" flashes, it means to cancel the timed start function. At this time, press the M button "ON" does not flash to indicate that the timed start function is on, then press the M button, "ON" flashes to cancel. Timed start function; continue to press the time button. When "OFF" appears, you can set the timed shutdown. When "OFF" flashes, it means to cancel the timed shutdown function. At this time, press the M button, "OFF" does not flash to indicate that the timed shutdown function is on, then Click the M button, and "OFF" flashes to cancel the timed shutdown function.

In the case of lock screen, tap any button to light up the screen. After lighting the screen, **press and hold the timer button for 3 seconds to unlock.**

If no operation for 30 seconds, the monitor automatically exits to the main interface and locks the screen.

### NOTE:

- 1) The timer 'ON' and timer 'OFF' functions can be set at the same time.
- 2) The timer settings are repeating.
- 3) The timer settings are still valid after a sudden power cut.

## 5. **M** button

- When the screen is unlocked,

1) Short press **M**, the mode can be adjusted operating mode

- AUTO Mode (heat pump +E-heater)
- GREEN Mode (only heat pump will work at normal working situation)
- Boost Mode (heat pump +E-heater work at the same time)
- E-heater Mode (only E-heater will work)
- Ventilation mode (only fans work)

2) Check the system parameters

-Press this button and hold for 3 seconds, entry the system parameter checking interface.

-Press the **▲** and **▼** buttons to check the system parameters.

3) Adjust the system parameters

- Press **M** for 3 seconds, entry the parameter checking interface.

- Press **▲** or **▼** button to select the parameter (parameter A-F can't be adjusted), and then press **M** to confirm it.

- Press the **▲** and **▼** buttons to adjust the selecting parameter, and then press **M** to confirm the setting.

If no operation for 30 seconds, the controller will exit and save the setting automatically.

NOTE: The parameters have been set; the user cannot change the parameters optionally. Please ask a qualified service person to do this when required.






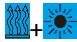






## 6. Error codes

During standby or running status, if there is a malfunction, the unit will stop automatically and show the error code on the left screen of the controller.





## LCD icons

1. **Auto mode**   
The icon indicates that the auto mode function is enabled.
2. **Fan ventilation**   
The icon indicates that the fan ventilation function is enabled.
3. **Electrical heating**   
The icon indicates that the electrical heating function is enabled. The electrical heater will work according to the control program.
4. **Defrosting**   
This icon shows the heat pump is under defrosting
5. **Heating**   
This icon shows the heat pump is working
6. **Heating + Electrical**   
This icons show that the heat pump is working, and the electrical is working as well
7. **Left temperature display**   
The display shows the setting water temperature.  
When checking or adjusting the parameters, this section will display the relating parameter number.
8. **Right temperature display**   
The display shows the current downside temperature of the water tank.  
When checking or adjusting the parameters, this section will display the related parameter value.  
In case any malfunction occurs, this section will display the related error code.
9. **Time display**   
The display shows the clock time or timer time.
10. **Timer 'ON'**   
The icon indicates that the timer 'ON' function is enabled.
11. **Timer 'OFF'**   
The icon indicates that the timer 'OFF' function is enabled.
12. **Error**   
The icon indicates there is malfunction.

# PARAMETER CHECKING AND ADJUSTMENT

## Parameter list

Some parameters can be checked and adjusted by the controller. Below is the parameter list.

Parameter nr.	Description	Range	Default	Notes
A	Lower tank temperature sensor	-20 ~ 99°C		In case of lower tank temp. sensor failure, the error code "P01" will be displayed.
B	Upper tank temperature sensor	-20 ~ 99°C		In case of upper tank temp. sensor failure, the error code "P02" will be displayed.
C	Evaporation temperature sensor	-20 ~ 99°C		In case of evaporation temp. sensor failure, the error code "P03" will be displayed.
D	Compressor suction temperature sensor	-20 ~ 99°C		In case of compressor suction temperature sensor failure, the error code "P04" will be displayed.
E	Room temperature sensor	-20 ~ 99°C		In case of room temperature sensor failure, the error code "P05" will be displayed.
F	EXV open steps	100 ~ 470 step		Not adjustable
01	ΔT compared to the compressor restart setting temperature.	2 ~ 15°C	5°C	Adjustable
02	Reserved			
03	Reserved			
04	Weekly disinfection temperature -Anti legionella	50 ~ 70°C	70°C	Only technician of "TAC" can change it.
05	Holding time of the disinfection temperature	0 ~ 90 min	30 min	Only technician of "TAC" can change it.
06	Defrosting cycle time duration	30~90 min	45 min	Only technician of "TAC" can change it.
07	Outside temperature of defrost cycle initialization	-30 ~ 0°C	-7°C	Only technician of "TAC" can change it.
08	Defrosting termination temperature	2 ~ 30°C	20°C	Only technician of "TAC" can change it.
09	Maximum defrosting cycle time	1 ~ 12 min	12 min	Only technician of "TAC" can change it.
10	Operating mode of the electronic expansion valve.	0 (auto) 1 (manual)	0	Only technician of "TAC" can change it.
11	Superheat setting value	-9 ~ 9°C	5°C	Only technician of "TAC" can change it.
12	Steps for manual adjustment of the electronic expansion valve	10 ~ 47 step	35 step	Only technician of "TAC" can change it (N*10)
13	Time to start a disinfection cycle - Anti legionella	0~23	23	Adjustable (hours)
14	ΔT for electric heater initialization	2 ~ 20°C	7°C	Adjustable
15	Compressor cumulative operation Time	10 ~ 80 min	30 min	Only technician of "TAC" can change it.
16	Increase of the lower tank temperature	0 ~ 20°C	2°C	Only technician of "TAC" can change it.
17	Switch application	0: On/Off switch 1: Photovoltaic (pv) switch	0	Adjustable

## Malfunctioning of the unit and error codes

When an error occurs or the protection mode is set automatically, the circuit board and the wired controller will both display the error message.

Protection/ Malfunction	Error code	LED indicator	Possible reasons	Corrective actions
Standby		Dark		
Normal running		Bright		
Lower tank water temp. sensor failure	P01	☆● (1flash 1 dark)	1) The sensor open circuit 2) The sensor short circuit	1) Check the sensor connection 2) Replace the sensor
Upper tank water temp. sensor failure	P02	☆☆● (2 flashes 1 dark)	1) The sensor open circuit 2) The sensor short circuit	1) Check the sensor connection 2) Replace the sensor
Evaporator coil temp. sensor failure	P03	☆☆☆● (3 flashes 1 dark)	1) The sensor open circuit 2) The sensor short circuit	1) Check the sensor connection 2) Replace the sensor
Return gas temp sensor failure	P04	☆☆☆☆● (4 flashes 1 dark)	1) The sensor open circuit 2) The sensor short circuit	1) Check the sensor connection 2) Replace the sensor
Ambient temp. sensor failure	P05	☆☆☆☆☆● (5 flashes 1 dark)	1) The sensor open circuit 2) The sensor short circuit	1) Check the sensor connection 2) Replace the sensor
Freezing protection in winter	P06	☆☆☆☆☆ ☆☆☆☆☆● (10flashes 1 dark)	1) In the off state, the lower part of the water tank $\leq 5^{\circ}\text{C}$	1) Check the temperature below the tank
High pressure protection (HP Switch)	E01	☆☆☆☆☆ ● (6 flashes 1 dark)	1) Too high air inlet temp 2) Less water in the tank 3) The electronic expansion valve assembly blocked 4) Too much refrigerant 5) The switch damaged 6) The uncompressed gas is in refrigerant system	1) Check if the air inlet temp is over the working limited 2) Check if the tank is full of water. If not, charge water 3) Replace the electronic expansion valve assembly 4) Discharge some refrigerant 5) Replace a new switch 6) Discharge and then recharge the refrigerant

Low pressure protection (LP Switch)	E02	☆☆☆☆☆☆ ☆● (7 flashes 1 dark)	1) Too low air inlet temp 2) The electronic expansion valve assembly blocked 3) Too less refrigerant 4) The switch damaged 5) The fan assembly can not work	1) Check if the air inlet temp is over the working limited 2) Replace the electronic expansion valve assembly 3) Charge some refrigerant 4) Replace a new switch 5) Check if the fan working when the compressor working. If not, some problems with the fan assembly
Over heat protection (HTP Switch)	E03	☆☆☆☆☆☆ ☆☆● (8 flashes 1 dark)	1) Too high tank water temp 2) The switch damaged	1) If the tank water temp is over 85C, the switch will open and the unit will stop for protection. After the water comes to normal temp, 2) Replace a new switch
Compressor protection (out of the ambient limit or water temp limit)	PA	☆☆☆☆☆☆ ☆☆☆● (9 flashes 1 dark)	1) Tank water temp too high 2) The switch damaged	1) If the tank water temp is over 85C, the switch will open and the unit will stop for protection. After the water comes to normal temp, 2) Replace a new switch
Defrost	Defrosting indicate	☆☆☆☆☆☆ ☆☆.....(all long flashes)		
Communication failure	E08	Bright	1) Disconnect of communication line 2) PCB is damaged	1) Check the communication line 2) Replace the PCB

## MAINTENANCE

### Maintenance activities

In order to ensure an optimum operation of the unit, a number of checks and inspections on the unit and the field wiring have to be carried out at regular intervals, preferably yearly.

- Check the water supply and air vent frequently, to avoid lack of water or air in the water loop.
- Clean the water filter to keep a good water quality. Lack of water and dirty water can damage the unit.
- Keep the unit in a place where it is dry and clean, and which has good ventilation. Clean the heat exchanger every one to two months.
- Check each part of the unit and the pressure of the system. Replace the defect part if there is any, and recharge the refrigerant if it is required.
- Check the power supply and the electrical system, make sure the electrical components are good, and the wiring is well. If there is a damaged part or a strange smell, please replace it in time.
- If the heat pump is not used for a long time, please drain out all the water from the unit and seal the unit to keep it good. Please drain the water from the lowest point of the boiler to avoid freezing in winter. Water recharge and full inspection on the heat pump is required before it is restarted.
- Do not turn the power 'OFF' when you use the unit continuously, or the water in the pipe will freeze and split the pipe.
- Keep the unit clean by means of soft damp cloth, no maintenance is required by the operator.
- It is recommended to clean the tank and e-heater regularly to keep an efficient performance.
- It is recommended to set a lower temperature to decrease the heat release, prevent scale and save energy if the outlet water is sufficient.
- Clean the air filter regularly to keep an efficient performance.

## TROUBLESHOOTING

This section provides useful information for diagnosing and correcting certain troubles which may occur. Before starting the troubleshooting procedure, carry out a thorough visual inspection of the unit and look for obvious defects such as loose connections or defective wiring.

Before contacting your local dealer, read this chapter carefully, it will save you time and money.



WHEN CARRYING OUT AN INSPECTION ON THE SWITCH BOX OF THE UNIT, ALWAYS MAKE SURE THAT THE MAIN SWITCH OF THE UNIT IS SWITCHED 'OFF'.

The guidelines below might help to solve your problem. If you cannot solve the problem, consult your installer/local dealer.

- No image on the controller (blank display). Check if the main power is still connected.
- One of the error codes appears, consult your local dealer.
- The scheduled timer does work but the programmed actions are executed at the wrong time (e.g. 1 hour too late or too early). Check if the clock and the day of the week are set correctly, adjust if necessary.

## ENVIRONMENTAL INFORMATION

This equipment contains fluorinated greenhouse gases covered by the Kyoto Protocol. It should only be serviced or dismantled by professional trained personnel.

This equipment contains **R134a refrigerant** in the amount as stated in the specification. Do not vent R134a into the atmosphere: R134a, is a fluorinated greenhouse gas with a Global Warming Potential (**GWP**) = **1430**.

## DISPOSAL REQUIREMENTS

Dismantling of the unit, treatment of the refrigerant, of oil and of other parts must be done in accordance with relevant local and national legislation.



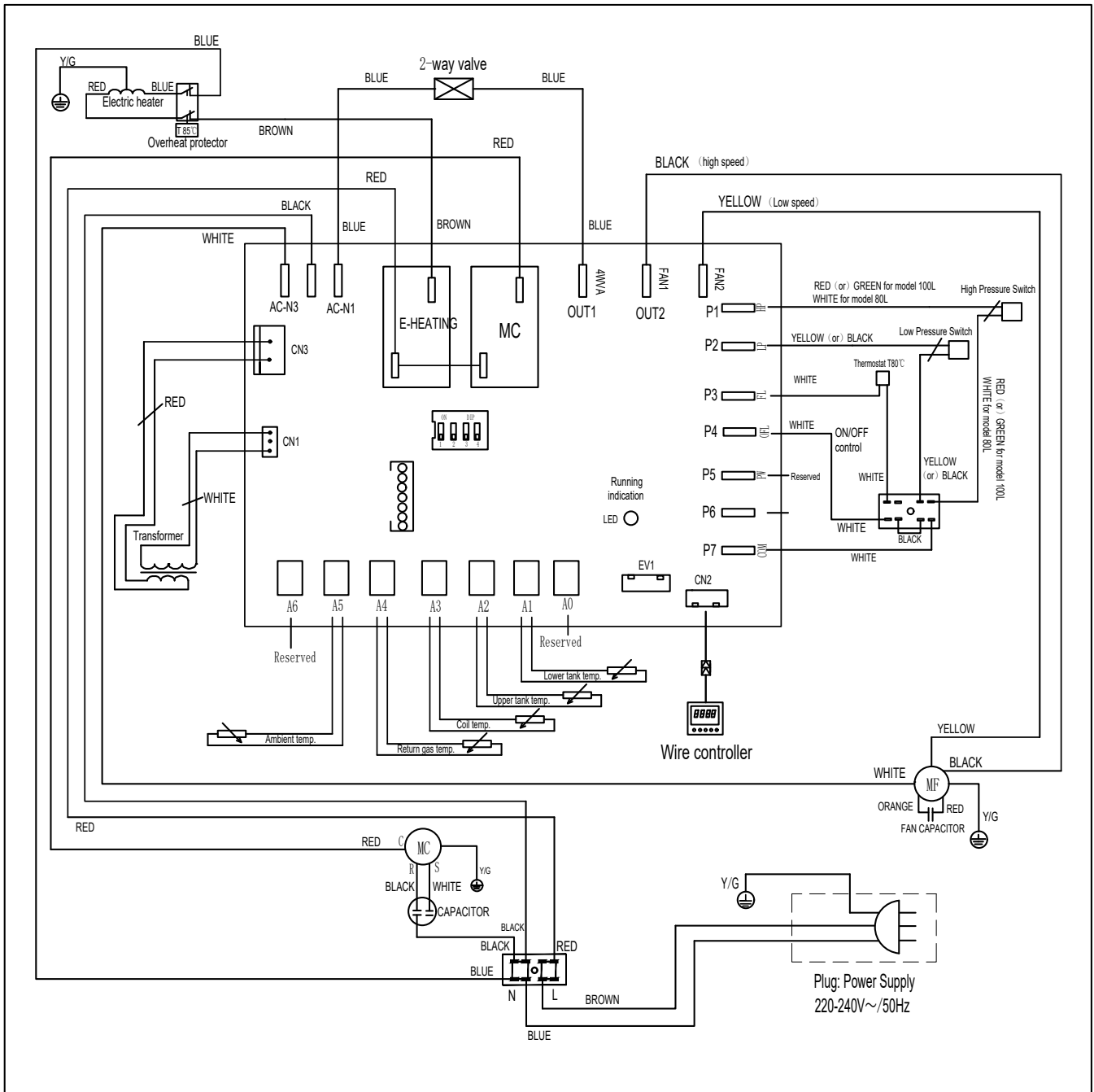
Your product is marked with this symbol. This means that electrical and electronic products shall not be mixed with unsorted household waste.

Do not try to dismantle the system yourself: the dismantling of the system, treatment of the refrigerant, of oil and other parts must be done by a qualified installer in accordance with relevant local and national legislation. Units must be treated at a specialized treatment facility for re-use, recycling and recovery. By ensuring that this product is disposed off correctly, you will help to prevent potential negative consequences for the environment and human health. Please contact the installer or local authority for more information.

# WIRING DIAGRAM

Please refer to the wiring diagram on the electric box.

**NOTE:** for Model 80L there isn't the High Pressure Switch



## TECHNICAL SPECIFICATION

TECHNICAL SPECIFICATION	UNITS OF MEASURE	80L	100L
Capacity	kW	0.85* (+1.5**)	0.85* (+1.5**)
Energy Class (ERP)		A+*	A+*
COP (ERP)		2.62*	2.62*
Duct air flow (nom.)	m <sup>3</sup> /h	300	300
Rated power input	W	250 (+1500**)	250 (+1500**)
Current (nom.)	A	1.16* (+6.5**)	1.16* (+6.5**)
Current (Rated.)	A	1.81(+6.5**)	1.81(+6.5**)
Power supply	V/Ph/Hz	220-240~/1/50	220-240~/1/50
Max outlet water temperature (without using E-heater)	°C	60	60
Refrigerant	.../g	R134a/650	R134a/650
Rated water yield	L/H	20	19
Max. Water operating pressure	Mpa	1.0	1.0
Rated water pressure	Mpa	0.6	0.6
Set point relief valve	Mpa	0.7	0.7
Sound power level	dB (A)	46	48.5
Net weight	kg	50	58
Net size (WxHxD)	mm	φ520x1160	φ520x1368
Package Size (WxHxD)	mm	572x572x1295	580x580x1515
* Capacity, power input and water heating energy efficiency based on Standard ERP, M cycle and on the following conditions: Ambient temperature 7°C /6°C, water temperature from 10°C to 55°C.			
**Related to the supplementary heater			



## TEMPERATURE SENSOR R-T CONVERSION TABLE

R25= 5.0KΩ±1.0%    B25-50 = 3470K±1.0%

°C	Rmin /KΩ	KΩ	Rmax/ KΩ	°C	Rmin /KΩ	KΩ	Rmax/ KΩ	°C	Rmin /KΩ	KΩ	Rmax/ KΩ
-20	36.195	37.303	38.441	21	5.779	5.847	5.914	62	1.343	1.374	1.406
-19	34.402	35.437	36.499	22	5.558	5.62	5.683	63	1.301	1.331	1.362
-18	32.709	33.676	34.668	23	5.346	5.404	5.463	64	1.26	1.29	1.321
-17	31.109	32.012	32.939	24	5.144	5.198	5.252	65	1.221	1.25	1.28
-16	29.597	30.441	31.306	25	4.95	5	5.05	66	1.183	1.212	1.242
-15	28.168	28.957	29.765	26	4.761	4.811	4.861	67	1.147	1.175	1.204
-14	26.816	27.554	28.308	27	4.58	4.63	4.68	68	1.111	1.139	1.168
-13	25.538	26.227	26.932	28	4.408	4.457	4.507	69	1.077	1.105	1.133
-12	24.328	24.972	25.631	29	4.242	4.292	4.341	70	1.045	1.072	1.099
-11	23.183	23.785	24.4	30	4.084	4.133	4.182	71	1.013	1.04	1.067
-10	22.098	22.661	23.236	31	3.933	3.981	4.03	72	0.983	1.009	1.035
-9	21.071	21.598	22.135	32	3.788	3.836	3.885	73	0.953	0.979	1.005
-8	20.098	20.59	21.093	33	3.649	3.697	3.745	74	0.925	0.95	0.975
-7	19.176	19.636	20.106	34	3.516	3.563	3.611	75	0.897	0.922	0.947
-6	18.301	18.732	19.171	35	3.388	3.435	3.483	76	0.871	0.895	0.919
-5	17.472	17.875	18.285	36	3.266	3.313	3.36	77	0.845	0.869	0.893
-4	16.686	17.063	17.446	37	3.149	3.195	3.241	78	0.82	0.843	0.867
-3	15.94	16.292	16.65	38	3.037	3.082	3.128	79	0.796	0.819	0.842
-2	15.231	15.561	15.896	39	2.929	2.974	3.019	80	0.773	0.795	0.818
-1	14.559	14.867	15.18	40	2.826	2.87	2.915	81	0.751	0.773	0.795
0	13.92	14.208	14.501	41	2.726	2.77	2.815	82	0.729	0.751	0.773
1	13.313	13.582	13.856	42	2.631	2.675	2.718	83	0.708	0.729	0.751
2	12.736	12.988	13.244	43	2.54	2.583	2.626	84	0.688	0.709	0.73
3	12.188	12.423	12.662	44	2.452	2.494	2.537	85	0.668	0.689	0.709
4	11.666	11.887	12.11	45	2.368	2.409	2.451	86	0.649	0.669	0.69
5	11.17	11.376	11.585	46	2.287	2.328	2.369	87	0.631	0.651	0.671
6	10.698	10.891	11.086	47	2.209	2.25	2.29	88	0.613	0.632	0.652
7	10.249	10.429	10.611	48	2.135	2.174	2.214	89	0.596	0.615	0.634
8	9.822	9.99	10.16	49	2.063	2.102	2.141	90	0.579	0.598	0.617
9	9.414	9.572	9.73	50	1.994	2.032	2.071	91	0.563	0.581	0.6
10	9.027	9.173	9.321	51	1.927	1.965	2.003	92	0.548	0.566	0.584
11	8.657	8.794	8.932	52	1.863	1.901	1.938	93	0.533	0.55	0.568
12	8.305	8.432	8.561	53	1.802	1.839	1.876	94	0.518	0.535	0.553
13	7.969	8.088	8.208	54	1.743	1.779	1.815	95	0.504	0.521	0.538
14	7.648	7.76	7.872	55	1.686	1.721	1.757	96	0.49	0.507	0.524
15	7.343	7.446	7.551	56	1.631	1.666	1.701	97	0.477	0.493	0.51
16	7.051	7.148	7.245	57	1.579	1.613	1.647	98	0.464	0.48	0.496
17	6.773	6.863	6.953	58	1.528	1.561	1.595	99	0.452	0.467	0.483
18	6.507	6.5911	6.675	59	1.479	1.512	1.545	100	0.439	0.455	0.47
19	6.253	6.331	6.41	60	1.432	1.464	1.497				
20	6.011	6.083	6.156	61	1.386	1.418	1.451				

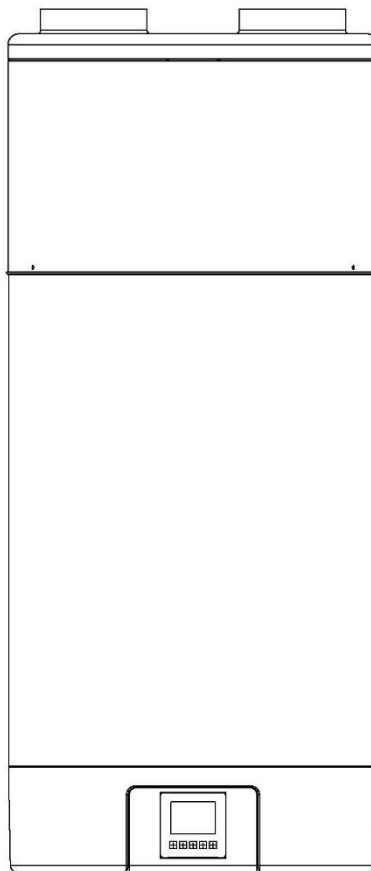






# POMPA DI CALORE PER ACQUA CALDA SANITARIA

MANUALE D'INSTALLAZIONE E D'USO



**NOTA IMPORTANTE:**

Grazie per avere acquistato il nostro prodotto,  
Prima di utilizzare l'unità, leggere attentamente  
il presente manuale e conservarlo per poterlo  
consultare in futuro.



## TABELLA DEI CONTENUTI

INTRODUZIONE.....	3
Manuale.....	3
L'unità .....	3
ISTRUZIONI DI SICUREZZA .....	4
Attenzione .....	4
Avvertenza .....	6
CONTENUTO .....	7
PANORAMICA DELL'UNITA' .....	8
Componenti.....	8
Dimensioni.....	9
Come sostituire l' anodo di magnesio .....	10
Schema del circuito dell'acqua e del refrigerante .....	10
INSTALLAZIONE .....	11
Trasporto.....	11
Spazio di installazione minimo richiesto .....	12
Panoramica sull'installazione .....	13
Posizionamento dell'unità .....	15
Collegamento circuito idraulico.....	15
Riempimento e svuotamento acqua del serbatoio .....	16
Connessione cavi .....	16
Messa in funzione.....	16
FUNZIONAMENTO DELL'UNITA' .....	17
Interfaccia utente e funzionamento .....	18
Icane LED .....	20
CONTROLLO PARAMETRI E REGOLAZIONI .....	21
Lista parametri.....	21
Malfunzionamenti e codici d'errore .....	22
MANUTENZIONE.....	24
GUIDA ALLA RISOLUZIONE DEI PROBLEMI .....	25
AMBIENTE.....	25
SMALTIMENTO.....	25
SCHEMA ELETTRICO.....	26
SPECIFICHE TECNICHE.....	27
TAVOLA DI CONVERSIONE DEL SENSORE DI TEMPERATURA R-T.....	28



LEGGERE ATTENTAMENTE QUESTO MANUALE PRIMA DI AVVIARE L'UNITA'. CONSERVARLO PER UN FUTURO RIFERIMENTO.



PRIMA DI AZIONARE L'UNITA', ASSICURARSI CHE L'INSTALLAZIONE SIA STATA EFFETTUATA CORRETTAMENTE DA UN RIVENDITORE PROFESSIONALE. SE NON SEI SICURO DEL FUNZIONAMENTO, CONTATTA IL RIVENDITORE PER CONSIGLI E INFORMAZIONI.

# INTRODUZIONE

## Manuale

Questo manual include le informazioni necessarie dell'unità. Leggere attentamente il manual prima di utilizzare il prodotto.

## L'unità

La pompa di calore per ACS è uno dei sistemi più economici sul mercato per scaldare l'acqua sanitaria ad uso domestico. Grazie all'utilizzo di un energia rinnovabile gratuita (aria), è in grado di raggiungere la massima efficienza mantenendo bassi i costi di gestione. La sua efficienza può essere fino a 3 ~ 4 volte maggiore rispetto alle caldaie a gas convenzionali o agli scaldatori elettrici.

### **Recupero del calore residuo**

Units can be installed near the kitchen, in the boiler-room or the garage, basically in every room which has a large number of waste-heat so that the unit has the higher energy efficiency even with very low outside temperatures during the winter.

### **Acqua calda e deumidificazione**

L'unità può essere posizionata nel locale lavanderia, poiché quando produce acqua calda, abbassa la temperatura e deumidifica la stanza. I vantaggi sono maggiormente visibili nelle stagioni maggiormente umide.

### **Raffreddamento del locale**

Units can be placed in the storage room as the low temperature keeps the food fresh.

### **Acqua calda e ventilazione**

L'unità può essere collocata in garage, palestra, cantina, ecc. Nel produrre acqua calda, raffredda la stanza e fornisce aria fresca.

### **Compatibile con diverse fonti di energia**

L'unità è compatibile con pannelli solari, pompe di calore esterne, caldaie o altre diverse fonti di energia.

### **Sistema di riscaldamento ecologico ed economico**

L'unità rappresenta l'alternativa più efficiente ed economica alle caldaie ed ai sistemi di riscaldamento a combustibili fossili, grazie all'utilizzo dell'aria come fonte di energia.

### **Design compatto**

L'unità è progettata appositamente per l'installazione in un contesto domestico. La sua struttura estremamente compatta ed il design elegante sono adatti all'installazione interna.

### **Multifunzione**

Lo speciale design di ingresso ed uscita dell'aria la rende adatta a diverse modalità di funzionamento/installazione. Le differenti modalità di installazione, permettono di funzionare come una semplice pompa di calore ma anche come un ventilatore, un deumidificatore o un dispositivo di recupero di energia.

### **Ulteriori caratteristiche**

Il serbatoio in acciaio inossidabile assicura la durata nel tempo. Compressore ad alta efficienza con gas refrigerante R134a.

Gli elementi elettrici assicurano acqua calda costante anche in inverni estremamente freddi.

## **ISTRUZIONI DI SICUREZZA**

Per evitare lesioni/danni a cose e/o persone, è necessario attenersi alle seguenti istruzioni. L'uso scorretto può causare pericolo e/o danni.

Installare conformemente alle normative, ai regolamenti ed alle norme locali vigenti. Controllare la tensione e la frequenza prima di procedere all'installazione.

E' idonea all'installazione solo per prese con messa a terra, e tensione di connessione 220 - 240 V ~ / 50Hz.

Devono sempre essere prese in considerazione le seguenti precauzioni di sicurezza:

- Assicurarsi di leggere il seguente AVVERTENZA prima di installare l'unità.
- Assicurarsi di osservare le precauzioni qui specificate in quanto includono elementi importanti relativi alla sicurezza.
- Dopo aver letto queste istruzioni, assicurarsi di conservarlo in un luogo a portata di mano per riferimenti futuri.

## **Attenzione**



### **Non installare l'unità da se.**

Un'errata installazione potrebbe causare danni, incendi, scosse elettriche, rottura della pompa di calore e/o perdite di acqua. Consultare l'installatore specializzato presso il quale è stata acquistata l'unità prima di procedere all'installazione.

### **Installare l'unità in modo sicuro.**

La superficie di appoggio deve essere piana per sopportarne il peso ed essere adatta all'installazione dell'unità e per evitare aumenti di rumorosità o vibrazioni. Quando si installa l'unità in una stanza piccola, è necessario prevedere misure adeguate (come una sufficiente ventilazione) al fine di prevenire l'asfissia causata da eventuali perdite di gas refrigerante.

### **Utilizzare i cavi elettrici specifici e collegare saldamente i cavi alla morsettiera.**

La connessione ed il fissaggio errati potrebbero causare un incendio.

### **Assicurarsi di utilizzare le parti fornite o specifiche per l'installazione.**

L'uso di parti difettose potrebbe causare danni, incendi, scosse elettriche, ecc.

### **Eeguire l'installazione elettrica attenendosi alle indicazioni del manuale di installazione. Assicurarsi di utilizzare una sezione apposita di 16A.**

Se la capacità del circuito di alimentazione è insufficiente o è presente un circuito elettrico incompleto, potrebbe verificarsi un incendio o una scossa elettrica.



**L'unità deve sempre avere una connessione a terra.**

Se l'alimentazione non è collegata a terra, non è possibile collegare la pompa di calore.

**Non utilizzare mai una prolunga per collegare l'unità all'alimentazione elettrica.**

Se non è disponibile una presa a muro dotata di messa a terra, farla installare da un tecnico elettricista.

**Non spostare / riparare l'unità da soli.**

Se il cavo di alimentazione è danneggiato, deve essere sostituito dal produttore, dal suo agente di servizio o da una persona qualificata per evitare pericoli. Movimenti o riparazioni impropri sull'unità potrebbero causare perdite d'acqua, scosse elettriche, lesioni o incendi.

**Tenere lontana dalla portata dei bambini.**

L'unità non è destinata all'uso da parte dei bambini, di persone con ridotte capacità fisiche o mentali, o persone con mancanza di esperienza e/o conoscenza del prodotto, a meno che non siano supervisionati e/o istruiti sull'uso da parte di un tecnico qualificato.

I bambini dovrebbero essere sorvegliati per assicurarsi che non giochino/entrino in contatto con l'apparecchio.

**Non togliere le etichette presenti sulla pompa di calore.**

Le etichette hanno lo scopo di avvertire o ricordare, tenerle possono garantire operazioni sicure.

## Avvertenze



**Non installare in un luogo in cui vi sia la possibilità di perdite di gas infiammabili.**

Se c'è una perdita di gas e si accumula nell'area circostante l'unità, potrebbe causare un'esplosione.

**Eeguire i lavori di drenaggio/tubazione in base alle istruzioni di installazione.**

Se c'è un difetto nel drenaggio/lavori di tubazione, l'acqua potrebbe fuoriuscire e creare danni ad oggetti presenti nell'abitazione.

**Non pulire l'unità quando l'alimentazione è ACCESA.**

Spegnere sempre l'alimentazione durante la pulizia o la manutenzione dell'unità. In caso contrario, potrebbe causare lesioni a causa della ventola ad alta velocità o a causa di una scossa elettrica.

**Non continuare a far funzionare l'unità quando c'è qualcosa di sbagliato o c'è un odore strano.**

L'alimentazione deve essere "OFF" per arrestare l'unità; in caso contrario ciò potrebbe causare scosse elettriche o incendi.

**Non mettere le dita o altro nel ventilatore o nell'evaporatore.**

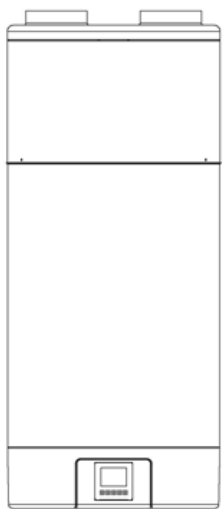
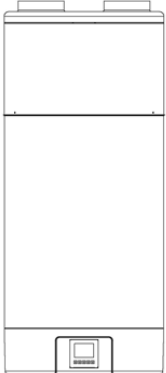



Le parti interne della pompa di calore possono funzionare ad alta velocità o ad alta temperatura e potrebbero causare gravi lesioni. Non rimuovere le griglie a protezione della ventola e sul coperchio superiore. Non inserire dita, mani o altro nella ventola e/o nell'evaporatore.

È possibile che l'acqua calda sia miscelata con acqua fredda, poiché l'acqua troppo calda (superiore a 50 ° C) nell'unità di riscaldamento può provocare lesioni.

L'altezza di installazione dell'alimentatore dovrebbe essere superiore a 1.8 m, per evitare che eventuali schizzi d'acqua danneggino l'unità.

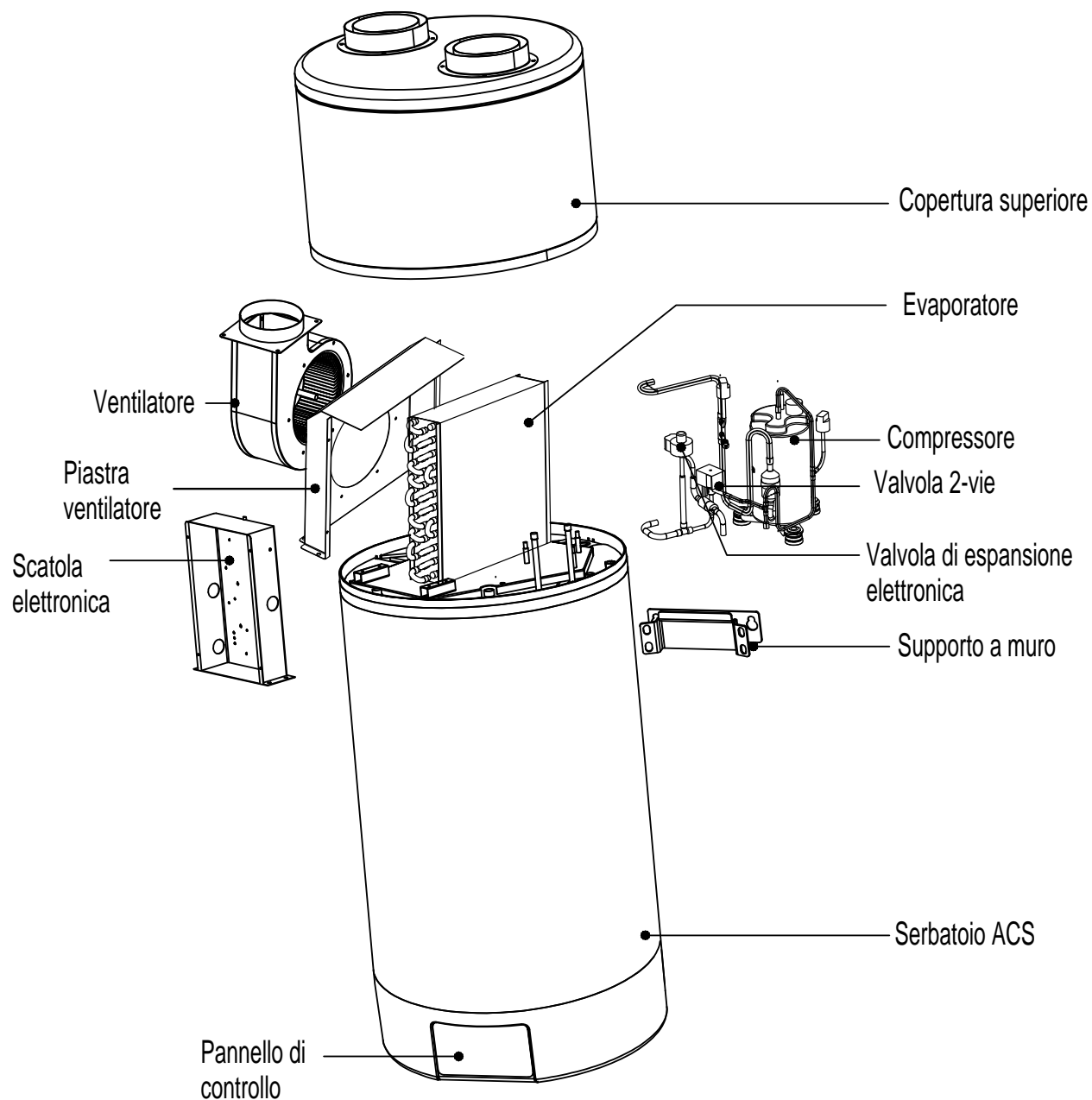
## CONTENUTO

Prima di procedere con l'installazione, assicurarsi che tutte le parti siano contenute all'interno della scatola fornita:

Nell'imballo		
Articolo	Immagine	Quantità
Pompa di calore per ACS		1
Manuale d'installazione e d'uso	<p><b>POMPA DI CALORE PER ACQUA CALDA SANITARIA</b></p> <p>MANUALE D'INSTALLAZIONE E D'USO</p>  <p><small>IMPORTANT NOTE: Grazie per avere acquistato il nostro prodotto, Prima di utilizzare l'unità, leggere attentamente il presentemanuale e conservarlo per poterlo consultare in futuro.</small></p>   	1

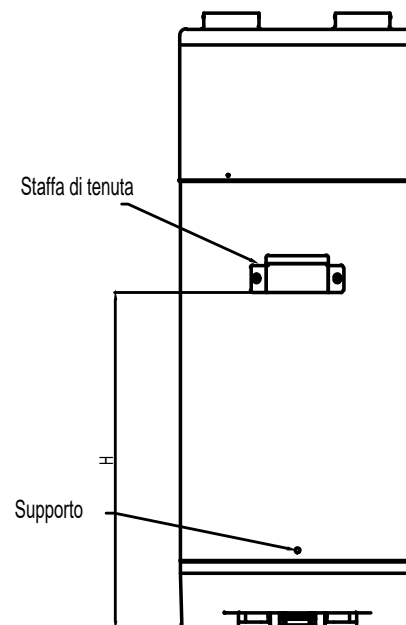
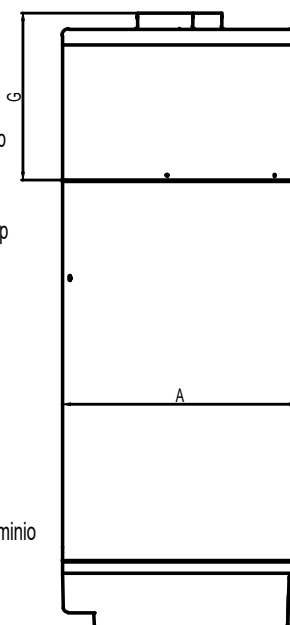
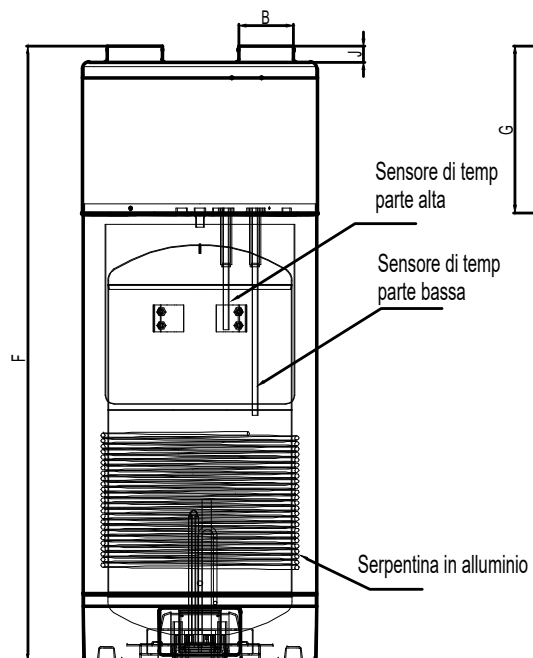
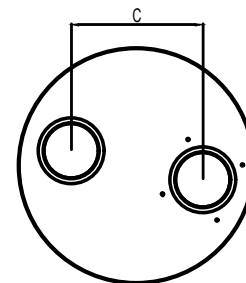
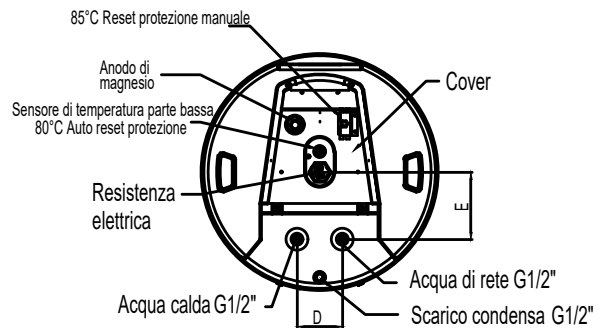
## PANORAMICA DELL'UNITA'

### Componentistica:



# Dimensioni

Modello: 80L-100L



	80L	100L		80L	100L
A	Φ520	Φ520	F	1160	1367.5
B	Φ122	Φ122	G	370	370
C	292	292	H	540	750
D	100	100	J	35	35
E	150	150	\		

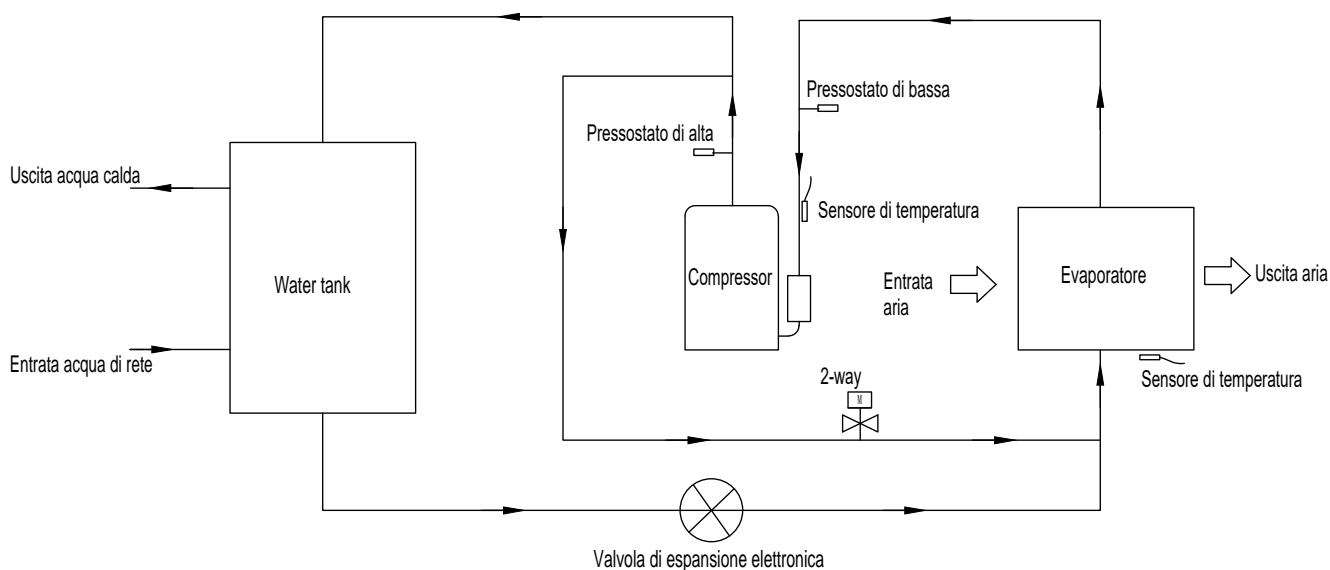
## Osservazioni:

- 1) La fonte di calore extra è facoltativa.
- 2) L'anodo in magnesio è un elemento anticorrosione. È assemblato nel serbatoio dell'acqua per evitare la creazione di sporco attorno al serbatoio interno e per proteggere il serbatoio e gli altri componenti. Controllare lo stick di magnesio ogni anno e sostituirlo se necessario!

## Come sostituire l'anodo di magnesio

- Spegner l'unità e rimuovere l'alimentazione.
- Scaricare tutta l'acqua dal serbatoio.
- Rimuovere il vecchio anodo di magnesio dal serbatoio.
- Installare il nuovo anodo di magnesio.
- Riempire nuovamente il serbatoio d'acqua.

## Schema del circuito dell'acqua e di refrigerazione



## Scegliere l'unità adatta

Fare riferimento alla tabella seguente per scegliere l'unità adatta.

Numero persone	Capacità accumulo
1 ~ 2 people	80L - 110L

**Note:** La presente tabella ha carattere puramente indicativo.

## INSTALLAZIONE

- L'unità deve essere installata da un tecnico qualificato.
- È altamente raccomandata l'installazione interna. Non è consentito installare l'unità all'aperto o in luoghi non riparati da pioggia/eventi atmosferici.
- Si consiglia l'installazione in un luogo senza luce solare diretta o altre fonti di calore. Se non è possibile, si prega di proteggere l'unità con apposita copertura.
- L'unità deve essere fissata saldamente su una superficie piana per evitare rumori e/o vibrazioni.
- Assicurarsi che non vi siano elementi di intralcio intorno all'unità.
- Si consiglia l'installazione in un luogo protetto dal vento.

## Trasporto

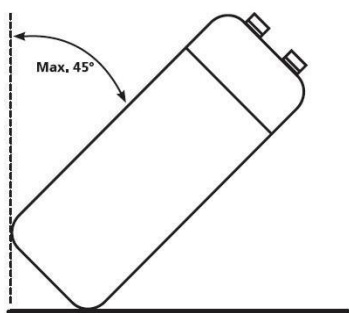
Di norma, l'unità deve essere conservata e/o trasportata in posizione verticale e senza carico d'acqua. Per un trasporto a breve distanza (a condizione che sia fatto con estrema cura), è consentito un angolo di inclinazione fino a 30 gradi, sia durante il trasporto sia in fase di stoccaggio. Resiste a temperature ambientali da -20 a +70 gradi Celsius.

### - Utilizzo di un carrello elevator

Se spostata/trasportata tramite l'uso di un carrello elevator, l'unità deve rimanere ancorata sul pallet d'appoggio. La velocità di sollevamento deve essere ridotta al minimo. Porre particolare attenzione al rischio di ribaltamento dell'unità. Per evitare danneggiamenti, l'unità deve essere posizionata su una superficie piana.

### - Trasporto manuale

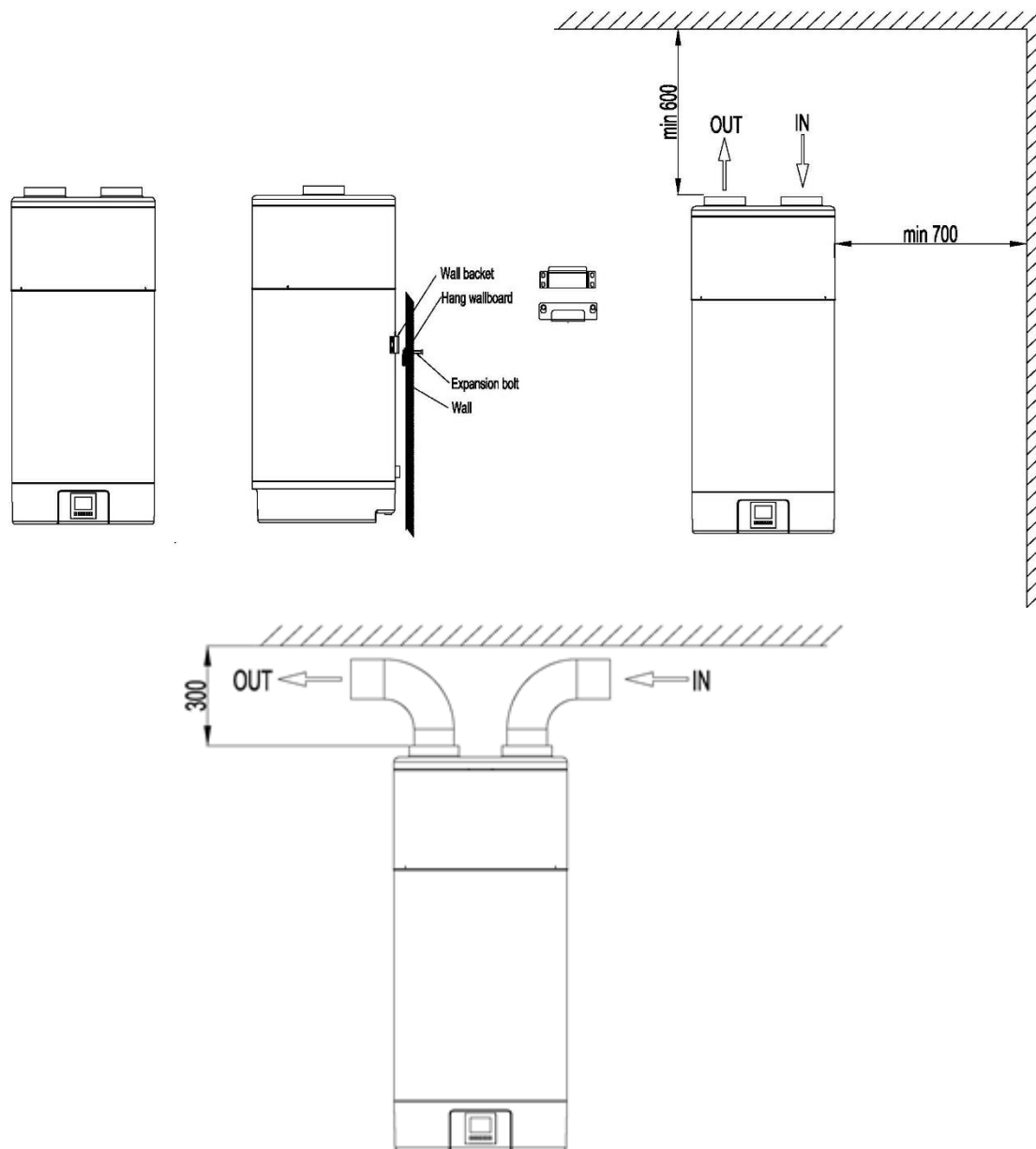
Per il trasporto manuale è possibile utilizzare un pallet in legno / plastica. Lo spostamento manuale della pompa di calore è possibile anche usando funi o cinghie idonee al trasporto. Si consiglia di non superare l'**angolo di inclinazione massimo ammissibile pari a 45 gradi**. Se è inevitabile il trasporto in una posizione inclinata, l'unità dovrebbe essere messa in funzione almeno un'ora successiva al posizionamento nella posizione verticale.



**ATTENZIONE:** prestare particolare attenzione al rischio di ribaltamento dell'unità.

## Spazio di installazione minimo richiesto

Di seguito è indicato lo spazio minimo richiesto necessario per le attività di assistenza e manutenzione delle unità.

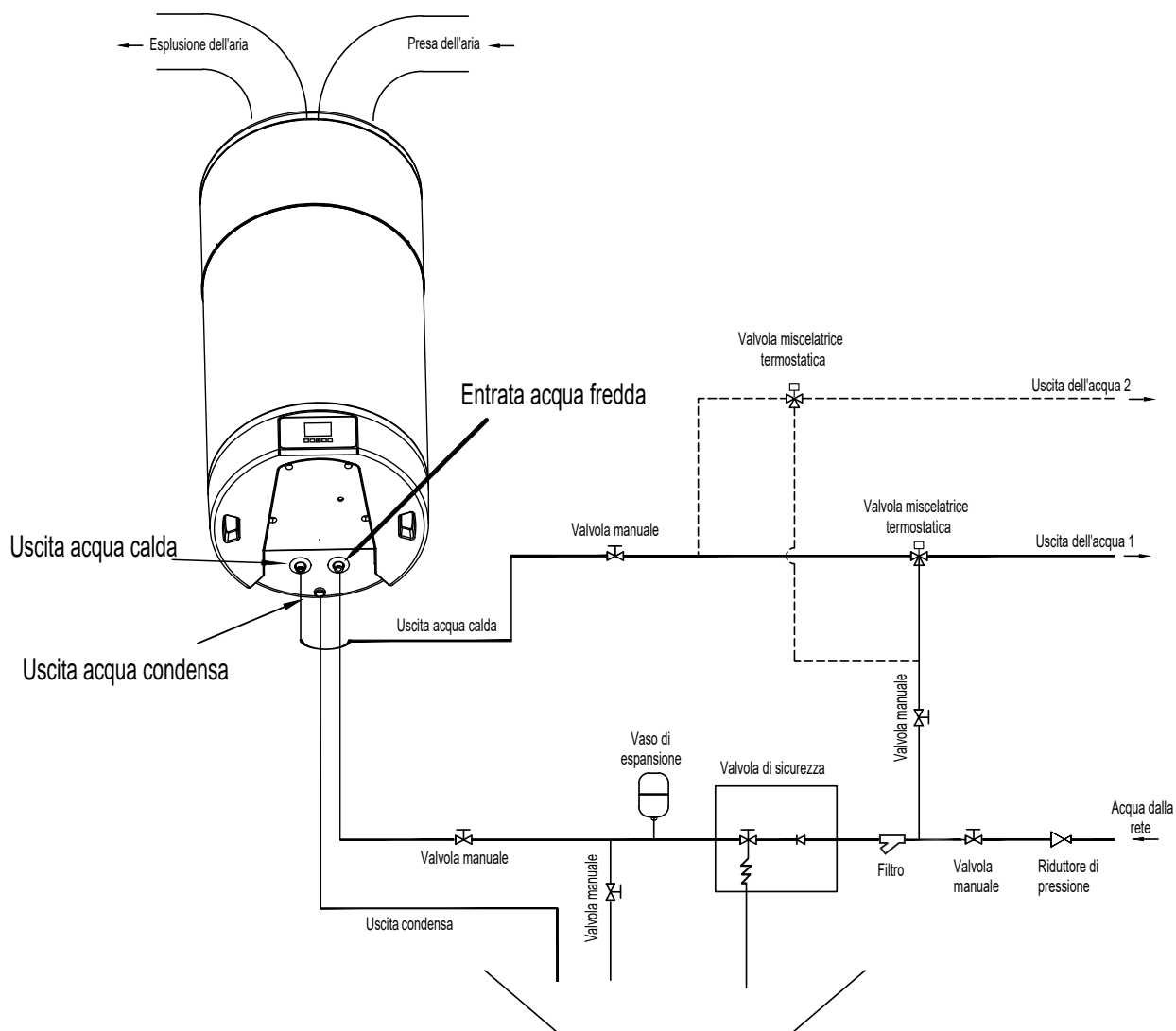


### Note:

- Separare i tubi di ingresso e uscita dell'aria per evitare perdite di rendimento nella pompa di calore;
- Se l'unità viene collegata ai condotti dell'aria, la condotta deve essere di grandezza pari a **120 mm (diametro)** o il tubo flessibile utilizzato deve avere un diametro interno di 120 mm. La lunghezza totale delle condotte non deve essere superiore a 8 metri o la **pressione massima statica dell'aria non deve superare i 60 Pa**. Una tipologia di canalizzazione non idonea penalizza le performance del prodotto e aumenta sensibilmente i tempi di riscaldamento.
- Se le tubazioni di ingresso e / o uscita aria non sono collegate, è necessario che il volume del locale in cui è installato lo scaldacqua in pompa di calore **sia superiore a 15m<sup>3</sup>**.



## Panoramica sull'installazione



- Nota:**
- È necessario aggiungere un **vaso di espansione** in base alla capacità del serbatoio;
  - È obbligatorio aggiungere una **valvola di sicurezza** pressione/temperatura;
  - È obbligatorio aggiungere un **riduttore di pressione** a monte dell'impianto;
  - È necessario aggiungere un **dispositivo di trattamento dell'acqua** (addolcitore, filtro ecc.);



#### ATTENZIONE:

- La **valvola di sicurezza deve essere obbligatoriamente installata**. In caso contrario, potrebbe danneggiarsi l'unità o addirittura causare danni a persone.  
Il set point di questa valvola di sicurezza è 0,7 MPa. Per il luogo di installazione, fare riferimento allo schizzo della connessione della tubazione.
- Il tubo di scarico collegato alla valvola di sicurezza deve essere installato in modo continuo verso il basso.
- L'acqua può gocciolare dal tubo di scarico della valvola di sicurezza e pertanto il tubo deve essere lasciato aperto all'aria.
- Rimuovere regolarmente dalla valvola di sicurezza i depositi di calcare e verificare che non sia bloccata. Si prega di fare attenzione a non scottarsi, a causa della temperatura elevata dell'acqua.
- L'acqua del serbatoio può essere scaricata attraverso il foro di drenaggio presente sul fondo del serbatoio.
- Dopo che tutte le tubazioni sono state collegate, accendere l'unità e procedere al riempimento del serbatoio. Spegnerne tutte le valvole e controllare tutti i tubi. In caso di perdite, verificare la perdita e procedere alla riparazione.
- Se la pressione dell'acqua in ingresso è inferiore a 0,15 MPa, è necessario installare una pompa di pressione all'ingresso dell'acqua. Se la pressione è superiore a 0,65 Mpa, per garantire una lunga durata del serbatoio è necessario **installare una valvola di riduzione sul tubo di ingresso dell'acqua**.
- **I filtri sono necessari nell'aspirazione dell'aria**. Se l'unità è collegata ai condotti dell'aria, il filtro deve essere inserito nell'ingresso dell'aria del condotto.
- Per scaricare in modo fluido l'acqua di condensa dall'evaporatore, installare l'unità su una superficie piana. Altrimenti, è necessario assicurarsi che lo sfiato di scarico si trovi nel punto più basso.  
L'angolo di inclinazione dell'unità non deve superare i 2 gradi.

## Posizionamento

- (1) Aspirazione ed espulsione nello stesso vano in cui è situata la macchina: il vano dev'essere arieggiato adeguatamente.
- (2) Aspirazione ed espulsione nello stesso vano in cui è situata la macchina: il vano dev'essere arieggiato adeguatamente.
- (3) Aspirazione ed espulsione nello stesso vano in cui è situata la macchina: il vano dev'essere arieggiato adeguatamente.
- (4) Espulsione canalizzata ed aspirazione libera: l'aspirazione dell'aria avviene all'interno del vano dove è presente la pompa di calore. In questo caso si vuole infatti sottrarre il calore dal locale per espellerlo all'esterno. Il locale deve essere adeguatamente arieggiato per evitare il rischio di depressione dell'ambiente



### NOTE:

- Questa unità è conforme agli standard tecnici pertinenti delle apparecchiature elettriche.
- Le unità possono essere installate vicino alla cucina, nel locale caldaia o nel garage, praticamente in ogni stanza che abbia un elevato volume d'aria, in modo da garantire all'unità una temperatura di aspirazione dell'aria più elevata rispetto a quella dell'aria esterna durante la stagione invernale.
- Le unità possono essere collocate nella lavanderia o nel locale abbigliamento. Quando produce ACS, l'unità espelle dell'aria a bassa temperatura e deumidificandone l'ambiente

## Collegamento del circuito idraulico

Prestare particolare attenzione ai seguenti punti quando si collega il tubo al circuito idraulico:


1. Cercare di ridurre la resistenza del circuito idraulico;
2. Assicurarsi che non vi sia nulla nel tubo e controllare l'assenza di perdite, quindi isolare il tubo;
3. Installare la valvola unidirezionale e la valvola di sicurezza nel sistema di circolazione dell'acqua;
4. Utilizzare tubi idonei tenendo conto della pressione dell'acqua e della perdita di pressione prevista all'interno delle tubazioni;
5. Le condutture dell'acqua possono essere di tipo flessibile. Per prevenire i danni da corrosione, assicurarsi che i materiali utilizzati nel sistema di tubazioni siano idonei.
6. Durante l'installazione delle nuove tubazioni è necessario evitare qualsiasi tipo di contaminazione dell'intero sistema idraulico.

## Riempimento e svuotamento acqua dal serbatoio

### Riempimento serbatoio:

Se l'unità viene utilizzata per la prima volta o utilizzata in seguito allo svuotamento del serbatoio, assicurarsi che il serbatoio sia pieno d'acqua prima di accenderlo.

- Aprire la valvola d'ingresso dell'acqua fredda e la valvola d'uscita dell'acqua calda.
- Avviare l'operazione di afflusso di acqua fino al riempimento del serbatoio.
- Chiudere la valvola di uscita dell'acqua calda. L'operazione è terminata.

 **ATTENZIONE:** Operare senza acqua all'interno del serbatoio può danneggiare la resistenza elettrica ausiliaria!

### Svuotamento serbatoio:

Se è necessario pulire o spostare l'unità, il serbatoio deve essere svuotato.

- Chiudere la valvola d'ingresso dell'acqua fredda.
- Aprire la valvola di uscita dell'acqua calda e aprire la valvola manuale del tubo di scarico
- Procedere allo svuotamento del serbatoio.
- Chiudere la valvola manuale.

## Connessione cavi

- Il cavo di alimentazione deve essere **3\*1.5 mm<sup>2</sup>**.
- Il fusibile deve essere 16A - 250V
- L'unità deve essere installata in un interruttore FI vicino all'alimentazione e deve essere messa a terra efficacemente. La specifica dell'interruttore FI è 30 mA, inferiore a 0,1 sec.

L'UNITÀ DEVE ESSERE INSTALLATA SECONDO LE NORMATIVE NAZIONALI VIGENTI.

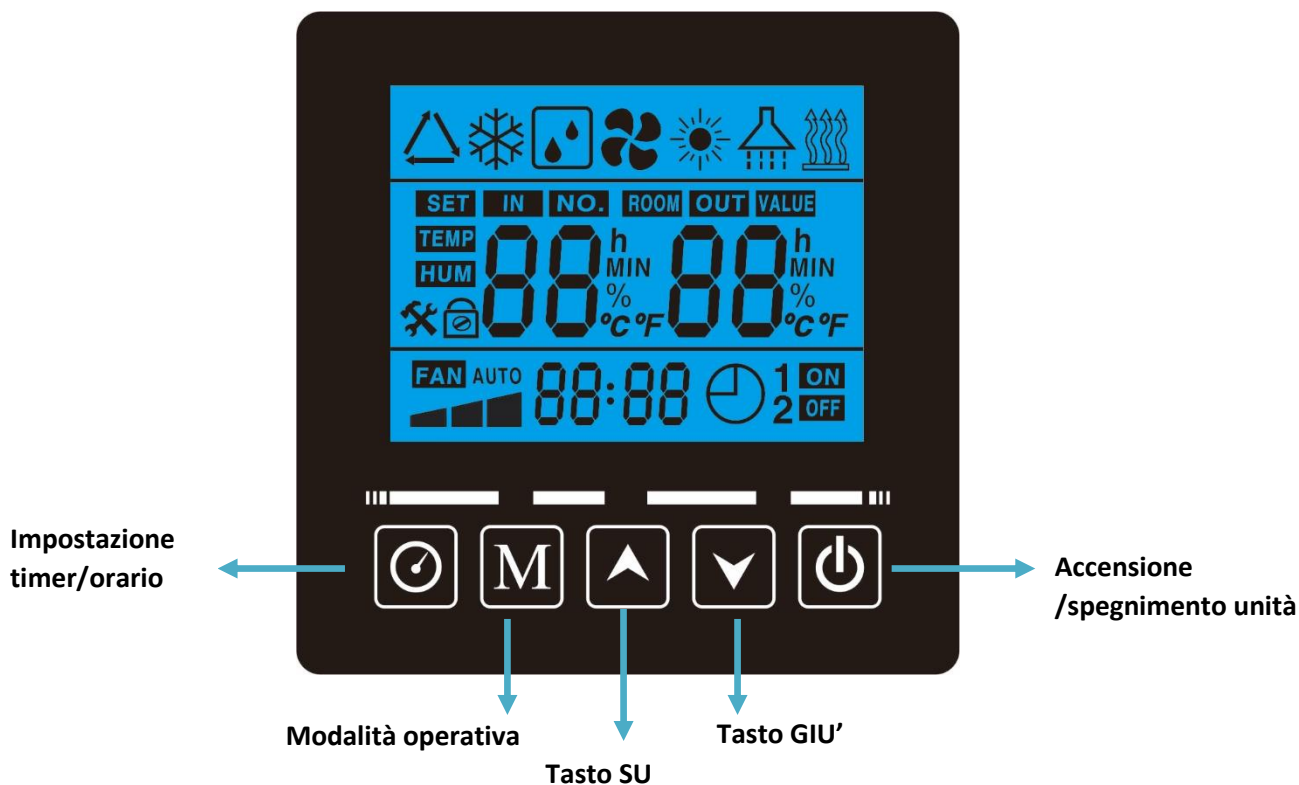
## Messa in funzione

### Verifiche prima della messa in funzione

- Verificare la presenza di acqua nel serbatoio e la corretta connessione del tubo dell'acqua.
- Verificare il sistema di alimentazione ed assicurarsi che il collegamento del cavo sia corretto.
- Verificare la pressione dell'acqua in ingresso ed assicurarsi che la pressione sia sufficiente (superiore a 0,15 MPa).
- Verificare che non vi siano perdite ed assicurarsi che il serbatoio sia pieno d'acqua prima di procedere all'accensione.
- Controllare nel complesso l'unità ed assicurarsi che sia tutto installato correttamente prima di procedere all'accensione, verificare l'illuminazione della centralina quando l'unità è in funzione.
- Utilizzare la centralina per avviare l'unità.
- Spegner l'unità in caso di anomalie (anche nel suono).
- Tener sotto controllo la temperatura dell'acqua, tramite misurazione.
- Una volta impostati i parametri, si prega di non modificarli autonomamente. Si prega di rivolgersi ad un tecnico specializzato per l'eventuale modifica dei parametri impostati.

## FUNZIONAMENTO DELL'UNITA'

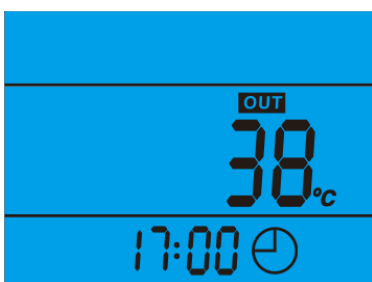
### Interfaccia utente e funzionamento






### Funzionamento

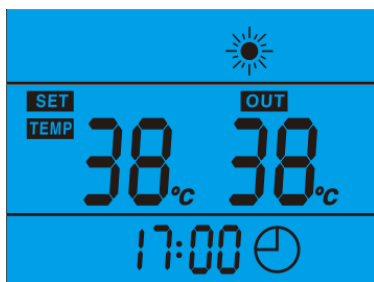
#### 1. 'ON'

All'accensione dell'unità, si illuminano tutte le icone sullo schermo della centralina per 3 secondi. Successivamente, l'unità entra in modalità standby.



#### 2. Accensione/Spegnimento

Premere il tasto  per 3 secondi quando l'unità è in standby, l'unità andrà in modalità ON.  
Premere il tasto  per 3 secondi quando l'unità è in funzionamento, l'unità andrà in modalità OFF.  
Premere leggermente il tasto  per uscire dai parametri o dalle impostazioni.



### 3. Tasti ▲ e ▼

- Vengono utilizzati per l'impostazione della temperatura e dei vari parametri, per il controllo dei parametri, per la regolazione dell'orario e del timer.
- Durante il funzionamento dell'unità, premere ▲ o ▼ per regolare direttamente la temperatura impostata.
- Quando l'unità è in modalità di impostazione dell'ora, è possibile regolare l'ora e i minuti dell'orologio.
- Quando l'unità è in modalità di impostazione dell'ora, è possibile regolare l'ora e i minuti del timer per l'accensione/spegnimento dell'unità.

### 4. Tasto ⌚

#### Impostazione orario:

- Tenere premuto ⌚ 3 secondi per sbloccare il display;
- Dopo che il display si è illuminato, premere ⌚ per accedere all'interfaccia di impostazione dell'orario, l'icona delle ore "88" inizia a lampeggiare. Premere i pulsanti ▲ e ▼ per settare l'ora esatta;
- Dopo il settaggio dell'ora, premere ⌚ per accedere all'interfaccia di impostazione dell'orario, l'icona di minuti "88" inizia a lampeggiare. Premere i pulsanti ▲ e ▼ per settare i minuti esatto;
- Premere ⌚ di nuovo per confermare e uscire.

#### Impostazione timer:

Tenere premuto per 3s il bottone ⌚ per accedere all'interfaccia di impostazione del timer. Una volta entrato premere il bottone del tempo per settare l'ora e i minuti desiderati per l'ON/OFF del timer. Quando l'icona dell'ora e dei minuti lampeggia, premere ▲ e ▼ per aggiustare l'orario desiderato.

Il timer ON/OFF può essere settato indipendentemente.

Quando il timer "ON" lampeggia, significa che la funzione di inizio del timer può essere modificata/annullata.

A questo punto, premendo il pulsante M, "ON" rimane fisso a display per indicare che la funzione di avvio del timer di accensione è attiva. Premendo M nuovamente, "ON" lampeggia per poter annullare la funzione timer.

Premendo il pulsante timer ancora comparirà "OFF", e si potrà settare il timer di spegnimento. Quando "OFF" lampeggia, significa che tale funzione timer può essere modificata/annullata. A questo punto, premendo M

, "OFF" non lampeggerà più, questo significa che la funzione timer di spegnimento è attiva. Premendo nuovamente M, "OFF" lampeggerà e questo significa che la funzione timer di spegnimento non è più attiva.

Nel caso in cui il display sia bloccato, toccare un pulsante qualsiasi per illuminarlo. Tenere quindi **premuto il pulsante del timer per 3 secondi per sbloccare il display.**











Se non viene eseguita alcuna operazione per 30 secondi, il monitor esce automaticamente dall'interfaccia principale e blocca nuovamente il display

## NOTE:

- 1) Le funzioni "ON" e "OFF" del timer possono essere impostate contemporaneamente.
- 2) Le impostazioni del timer si ripetono.
- 3) Le impostazioni del timer rimangono valide e funzionanti anche dopo un'interruzione di corrente improvvisa.

## 5. Tasto

- Quando lo schermo è sbloccato:

- 1) Premendo il tasto , si può impostare la modalità:
  - AUTO Mode (pompa di calore + resistenza elettrica)
  - GREEN Mode (solo pompa di calore)
  - Boost Mode (pompa di calore + resistenza elettrica lavorano allo stesso tempo)
  - E-heater Mode (solo resistenza elettrica)
  - Ventilation mode (solo ventilatore)
- 2) Controllo dei parametri di funzionamento
  - Premere il pulsante per 3 secondi, per accedere all'interfaccia di controllo dei parametri di sistema.
  - Premere  e  per controllare i parametri di sistema.
- 3) Regolare i parametri di sistema
  - Premere  per 3 secondi, per accedere al controllo dei parametri di sistema.
  - Premere  o  per selezionare il parametro (parametri A-F non regolabili), e premere  per confermare.
  - Premere  e  per regolare il parametro selezionato, poi premere  per confermare la nuova impostazione.

Se non si esegue alcuna operazione per 10 secondi, la centralina uscirà dall'interfaccia e salverà automaticamente le impostazioni.

NOTE: i parametri sono già pre-impostati; l'utente non può modificare i parametri se non tramite l'ausilio di un tecnico qualificato.

## 6. Codici di errore

In caso di malfunzionamento, l'unità si blocca automaticamente e sulla centralina sarà visualizzato il codice di errore.



## LCD icons

- 1. Funzione AUTO**   
L'icona indica che la funzione della modalità automatica è abilitata
- 2. Funzione ventilazione**   
L'icona indica che la funzione di ventilazione del ventilatore è abilitata.
- 3. Resistenza elettrica**   
L'icona indica che la funzione di riscaldamento elettrico è abilitata. Il riscaldatore elettrico funzionerà secondo il programma di controllo.
- 4. Sbrinamento**   
L'icona indica che la pompa di calore è in fase di sbrinamento.
- 5. Riscaldamento**   
L'icona indica che la pompa di calore è in funzione.
- 6. Riscaldamento + resistenza elettrica**   
L'icona indica che la pompa di calore e la resistenza elettrica sono in funzione .
- 7. Display temperatura – lato sinistro**   
Il display mostra la temperatura dell'acqua impostata.  
Durante il controllo o la regolazione dei parametri, questa sezione mostrerà il relativo parametro.
- 8. Display temperatura – lato destro**   
Il display mostra la temperatura attuale del serbatoio dell'acqua.  
Durante il controllo o la regolazione dei parametri, questa sezione mostrerà il relativo valore. In caso di malfunzionamento, questa sezione mostrerà il codice di errore.
- 9. Display orario**   
Il display mostra l'orario o il timer impostato.
- 10. Timer 'ON'**   
L'icona indica che la funzione del timer (accensione) è abilitata.
- 11. Timer 'OFF'**   
L'icona indica che la funzione del timer (spegnimento) è abilitata
- 12. Error**   
L'icona indica la presenza di un malfunzionamento.



## CONTROLLO PARAMETRI E REGOLAZIONI

### Lista parametri

Alcuni parametri possono essere controllati e regolati dalla centralina. Di seguito è riportato l'elenco dei parametri.

Parameter nr.	Description	Range	Default	Notes
A	Sensore Temperatura inferiore serbatoio dell'acqua	-20 ~ 99°C		In caso di guasto del sensore, l'errore "P01" verrà visualizzato a display
B	Sensore Temperatura superiore serbatoio dell'acqua	-20 ~ 99°C		In caso di guasto del sensore, l'errore "P02" verrà visualizzato a display
C	Sensore di temp. batteria evaporatore	-20 ~ 99°C		In caso di guasto del sensore, l'errore "P03" verrà visualizzato a display
D	Sensore di temp. aspirazione del compressore	-20 ~ 99°C		In caso di guasto del sensore, l'errore "P04" verrà visualizzato a display
E	Sensore Temp. ambiente	-20 ~ 99°C		In caso di guasto del sensore, l'errore "P05" verrà visualizzato a display
F	Step valvola di espansione	100 ~ 470 step		Non regolabile
01	ΔT di temperatura per la riaccensione del compressore.	2 ~ 15°C	5°C	Regolabile
02	Riservato			
03	Riservato			
04	Temperatura settimanale per funzione Anti legionella	50 ~ 70°C	70°C	Valore Impostabile; solo per CAT.
05	Tempo di mantenimento della temperatura di Anti legionella	0 ~ 90 min	30 min	Valore Impostabile; solo per CAT.
06	Tempo di durata del Defrosting	30 ~ 90 min	45 min	Valore Impostabile; solo per CAT.
07	Temperatura esterna per avviamento ciclo di defrost	-30 ~ 0°C	-7°C	Valore Impostabile; solo per CAT.
08	temperatura fine Defrosting	2 ~ 30°C	20°C	Valore Impostabile; solo per CAT.
09	Tempo massimo di durata ciclo di defrosting	1 ~ 12 min	12 min	Valore Impostabile; solo per CAT.
10	Modalità di funzionamento della valvola di esp. elettronica.	0 (auto) 1 (manual)	0	Valore Impostabile; solo per CAT.
11	Valore impostazione surriscaldamento	-9 ~ 9°C	5°C	Valore Impostabile; solo per CAT.
12	Steps manuali di regolazione valvola di esp. elettronica	10 ~ 47 step	35 step	Valore Impostabile; solo per CAT. (N*10)
13	Ora di attivazione del ciclo disinfezione - Anti legionella	0 ~ 23	23	Valore Impostabile
14	ΔT di temperatura per avviamento Resistenza elettrica di backup	2 ~ 20°C	7°C	Valore Impostabile
15	Tempo di funzionamento cumulativo del compressore	10 ~ 80 min	30 min	Valore Impostabile; solo per CAT.
16	Incremento della temperatura inferiore del serbatoio	0 ~ 20°C	2°C	Valore Impostabile; solo per CAT.
17	Switch applicazione	0: On/Off switch 1: Fotovoltaico (pv) switch	0	Regolabile

## Malfunzionamenti e codici di errore

Messaggi di errore visualizzati in caso di malfunzionamento, errore, impostazione automatica modalità di protezione dell'unità.

Protezione/ Malfunzionamento	Codice d'errore	LED indicatore	Possibili ragioni	Azioni correttive
Standby		Nero		
Normale funzionamento		Luminoso		
Guasto sensore di T. inferiore dell'acqua del serbatoio	P01	☆● (1 lampeggio)	1) Circuito aperto del sensore 2) Circuito corto del sensore	1) Verificare la connessione del sensore 2) Sostituire il sensore
Guasto sensore di T. inferiore dell'acqua del serbatoio	P02	☆ ☆● (2 lampeggi)	1) Circuito aperto del sensore 2) Circuito corto del sensore	1) Verificare la connessione del sensore 2) Sostituire il sensore
Guasto sensore di temperatura serpentina evaporatore	P03	☆ ☆☆● (3 lampeggi)	1) Circuito aperto del sensore 2) Circuito corto del sensore	1) Verificare la connessione del sensore 2) Sostituire il sensore
Guasto sensore di temperatura ritorno gas	P04	☆ ☆☆☆● (4 lampeggi)	1) Circuito aperto del sensore 2) Circuito corto del sensore	1) Verificare la connessione del sensore 2) Sostituire il sensore
Guasto sensore temp. ambiente	P05	☆☆☆☆☆● (5 lampeggi)	1) Circuito aperto del sensore 2) Circuito corto del sensore	1) Verificare la connessione del sensore 2) Sostituire il sensore
Protezione congelamento durante l'inverno	P06	☆☆☆☆☆● ☆☆☆☆☆ (10 lampeggi)	1) Durante lo standby, se il sensore di Temp. inferiore è $\leq 5^{\circ}\text{C}$	1) Controllare la temperatura del serbatoio nella parte inferiore
Protezione alta pressione (Interruttore HP)	E01	☆☆☆☆☆☆● (6 lampeggi)	1) Temperatura di ingresso aria troppo alta 2) Poca acqua nel serbatoio 3) Il gruppo della valvola di espansione è bloccato 4) Troppo gas refrigerante 5) L'interruttore è danneggiato 6) Del gas non compresso si trova nel sistema refrigerante	1) Controllare se la temperatura di ingresso aria è superiore al limite 2) Controllare se il serbatoio è pieno d'acqua. In caso contrario, caricare l'acqua. 3) Sostituire il gruppo della valvola di espansione 4) Scaricare il refrigerante in eccesso 5) Sostituire l'interruttore danneggiato 6) Scaricare e quindi ricaricare il refrigerante

Protezione bassa pressione (interruttore LP)	E02	☆☆☆☆☆☆ ☆● (7 lampeggi)	1) Temperatura ingresso aria troppo bassa 2) Il gruppo della valvola di espansione è bloccato 3) Troppo poco gas refrigerante 4) L'interruttore è danneggiato 5) La ventola non può funzionare	1) Controllare se la temperatura di ingresso dell'aria è inferiore al limite di funzionamento 2) Sostituire il gruppo della valvola di espansione 3) Aggiungere gas refrigerante 4) Sostituire l'interruttore danneggiato 5) Controllare il funzionamento della ventola quando il compressore entra in funzione. In caso contrario, potrebbero esserci problemi alla ventola.
Protezione contro il surriscaldamento (interruttore HTP)	E03	☆☆☆☆☆☆ ☆☆● (8 lampeggi)	1) Temp. acqua serbatoio troppo alta 2) L'interruttore è danneggiato	1) Se la temp. dell'acqua è > 85°C, l'interruttore si aprirà e l'unità entrerà in modalità di protezione. 2) Sostituire l'interruttore danneggiato
Protezione compressore (fuori dal limite ambientale o limite di temp. dell'acqua)	PA	☆☆☆☆☆☆ ☆☆☆● (9 lampeggi)	1) Temperatura acqua serbatoio troppo alta 2) Interruttore danneggiato	1) Se la temperatura dell'acqua del serbatoio è superiore a 85°C, l'interruttore si apre e l'unità si ferma per protezione. Dopo di che l'acqua torna alla sua normale temperatura. 2) Sostituire l'interruttore
Sbrinamento	Defrosting	☆☆☆☆☆☆ ☆☆☆☆... (lampeggio continuo)		
Errore di comunicazione	E08	Luminoso	1) Il cavo dell'alimentazione non è inserito nella presa. 2) PCB danneggiata	1) Controllare se il cavo dell'alimentazione è inserito nella presa o la comunicazione. 2) Sostituire la PCB


## MANUTENZIONE

Al fine di garantire un funzionamento ottimale dell'unità, è necessario eseguire controlli sull'unità e sui collegamenti elettrici a intervalli regolari, preferibilmente almeno una volta l'anno.

- Controllare frequentemente l'alimentazione dell'acqua e la presa d'aria, per evitare la mancanza di acqua o aria nel circuito.
- Pulire il filtro dell'acqua per mantenere una buona qualità dell'acqua. La mancanza di acqua e/o la presenza di acqua sporca può danneggiare l'unità.
- Conservare l'unità in un luogo asciutto e pulito, con una buona ventilazione. Pulire lo scambiatore di calore ogni 1/2 mesi.
- Controllare regolarmente ogni singola parte dell'unità e la pressione del sistema. Sostituire le eventuali parti difettose, e ricaricare il refrigerante quando necessario.
- Controllare l'alimentazione e l'impianto elettrico, assicurarsi che i componenti elettrici siano in buone condizioni e che il cablaggio sia corretto. Nel caso di parti danneggiate o in presenza di uno strano odore, provvedere alla sostituzione di quanto danneggiato il prima possibile.
- Se la pompa di calore non viene utilizzata per un lungo periodo, svuotare tutta l'acqua dal serbatoio e sigillare l'unità per mantenerla in buone condizioni. Si prega di scaricare l'acqua dal punto più basso. Prima di riavviare l'unità, è necessario riempire nuovamente il serbatoio ed ispezionare completamente la pompa di calore.
- Non spegnere l'alimentazione quando si utilizza l'unità in modo continuo.
- Tenere pulita l'unità tramite l'ausilio di un panno morbido inumidito.
- Si consiglia di pulire regolarmente il serbatoio per mantenere le prestazioni efficienti.
- Si consiglia di impostare una temperatura più bassa per ridurre il rilascio di calore e risparmiare energia.
- Pulire regolarmente il filtro dell'aria per mantenere le prestazioni efficienti.

## GUIDA ALLA RISOLUZIONE DEI PROBLEMI

Questa sezione fornisce informazioni utili per diagnosticare e correggere alcuni problemi che possono verificarsi. Prima di iniziare la procedura di risoluzione dei problemi, eseguire un'ispezione visiva completa dell'unità e verificare la presenza di difetti evidenti come connessioni allentate o un cablaggio difettoso.

 QUANDO SI EFFETTUA UN CONTROLLO SUL QUADRO DELL'UNITÀ, ASSICURARSI SEMPRE CHE L'INTERRUTTORE PRINCIPALE DELL'UNITÀ SIA SPENTO.

Le seguenti linee guida potrebbero aiutarti a risolvere il problema. Se non è possibile risolvere il problema autonomamente, consultare il proprio installatore / tecnico specializzato.

- Nessuna icona visualizzabile sulla centralina (display vuoto). Verificare che l'alimentazione sia ancora collegata.
- Se viene visualizzato un codice d'errore, contattare il tecnico specializzato.
- Il timer programmato funziona ma le azioni programmate vengono eseguite nel momento sbagliato (ad esempio 1 ora in ritardo o in anticipo). Controllare se l'ora ed il giorno della settimana sono impostati correttamente, regolare se necessario.

## INFORMAZIONI AMBIENTALI

L'unità contiene gas fluorurati ad effetto serra contemplati dal protocollo di Kyoto, che devono essere manipolati o smaltiti solo da personale qualificato.

MT-AIO contiene **gas refrigerante R134A** nella quantità indicata nelle specifiche tecniche.

Non scaricare R134A nell'atmosfera: è un gas serra fluorurato con un potenziale di riscaldamento globale (GWP) = 1430.

## SMALTIMENTO

Lo smaltimento dell'unità, il trattamento del refrigerante, dell'olio e di altre parti devono essere eseguiti in conformità con la legislazione locale e nazionale vigente.



Il tuo prodotto è contrassegnato da questo simbolo. I prodotti elettrici ed elettronici non devono essere smaltiti insieme ai rifiuti domestici indifferenziati.

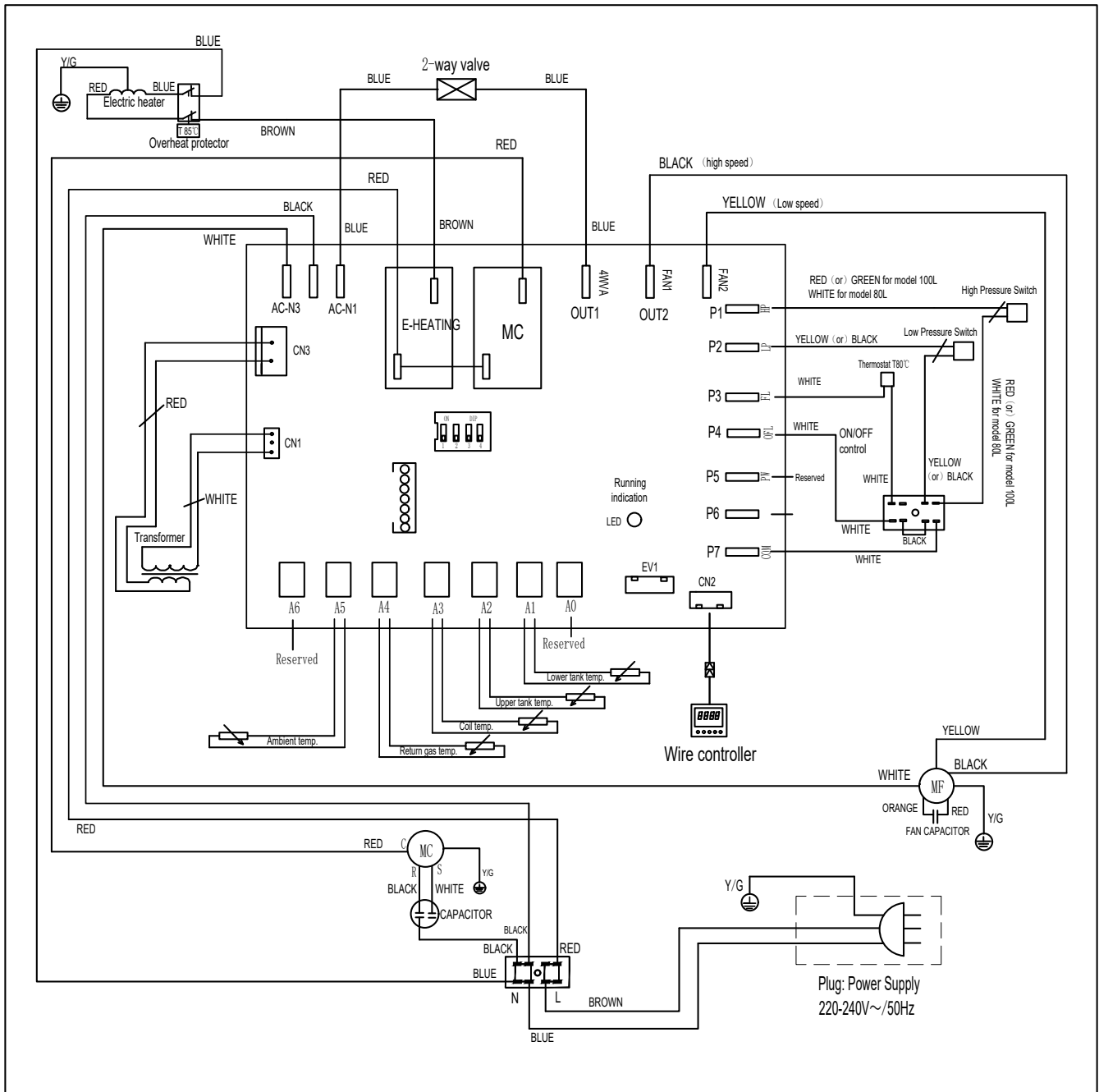
Non tentare di smantellare il sistema autonomamente: lo smantellamento dell'unità, il trattamento del refrigerante, dell'olio e di altri componenti devono essere effettuati da un tecnico qualificato in conformità delle normative locali e nazionali vigenti.

Le unità devono essere trattate presso un centro specializzato per il riutilizzo, il riciclaggio ed il recupero. Assicurandosi che questo prodotto sia smaltito correttamente, contribuirete a prevenire potenziali conseguenze negative per l'ambiente e la salute umana. Si prega di contattare il tecnico specializzato o l'autorità competente per ulteriori informazioni.

# SCHEMA ELETTRICO

Fare riferimento allo schema elettrico sulla scatola elettrica.

**NOTA:** per il Modello 80L non è presente il Pressostato di alta



## SPECIFICHE TECNICHE

DATI TECNICI	UNITÀ DI MISURA	80L	100L
Capacità di riscaldamento	kW	0.85* (+1.5**)	0.85* (+1.5**)
Classe efficienza energetica (ERP)		A+*	A+*
COP (ERP)		2.62*	2.62*
Portata d'aria (nom.)	m <sup>3</sup> /h	300	300
Potenza nominale	W	250 (+1500**)	250 (+1500**)
Corrente nominale	A	1.16* (+6.5**)	1.16* (+6.5**)
Corrente massima	A	1.81(+6.5**)	1.81(+6.5**)
Alimentazione	V/Ph/Hz	220-240~/1/50	220-240~/1/50
Temp. massima dell'acqua in uscita (senza resistenza elettrica)	°C	60	60
Tipo di gas refrigerante/ Carica	.../g	R134a/650	R134a/650
Resa nominale dell'acqua	L/H	20	19
Max. Pressione di esercizio dell'acqua	Mpa	1.0	1.0
Pressione nominale dell'acqua	Mpa	0.6	0.6
Valvola di sicurezza set point	Mpa	0.7	0.7
Livello di potenza sonora	dB (A)	46	48.5
Peso netto	kg	50	58
Dimensioni nette (LxAxP)	mm	φ520x1160	φ520x1368
Dimensionamento imballo (LxAxP)	mm	572x572x1295	580x580x1515
* Capacità, Potenza di input e classe di efficienza energetica in riscaldamento basata sullo Standard ERP, M ciclo e nelle seguenti condizioni: Temperatura ambiente 7°C /6°C, Temperatura dell'acqua da 10°C a 55°C.			
**Riferito alla resistenza elettrica supplementare			

## TAVOLA DI CONVERSIONE DEL SENSORE DI TEMPERATURA R-T

R25= 5.0KΩ±1.0% B25-50 = 3470K±1.0%

°C	Rmin /KΩ	KΩ	Rmax/ KΩ	°C	Rmin /KΩ	KΩ	Rmax/ KΩ	°C	Rmin /KΩ	KΩ	Rmax/ KΩ
-20	36.195	37.303	38.441	21	5.779	5.847	5.914	62	1.343	1.374	1.406
-19	34.402	35.437	36.499	22	5.558	5.62	5.683	63	1.301	1.331	1.362
-18	32.709	33.676	34.668	23	5.346	5.404	5.463	64	1.26	1.29	1.321
-17	31.109	32.012	32.939	24	5.144	5.198	5.252	65	1.221	1.25	1.28
-16	29.597	30.441	31.306	25	4.95	5	5.05	66	1.183	1.212	1.242
-15	28.168	28.957	29.765	26	4.761	4.811	4.861	67	1.147	1.175	1.204
-14	26.816	27.554	28.308	27	4.58	4.63	4.68	68	1.111	1.139	1.168
-13	25.538	26.227	26.932	28	4.408	4.457	4.507	69	1.077	1.105	1.133
-12	24.328	24.972	25.631	29	4.242	4.292	4.341	70	1.045	1.072	1.099
-11	23.183	23.785	24.4	30	4.084	4.133	4.182	71	1.013	1.04	1.067
-10	22.098	22.661	23.236	31	3.933	3.981	4.03	72	0.983	1.009	1.035
-9	21.071	21.598	22.135	32	3.788	3.836	3.885	73	0.953	0.979	1.005
-8	20.098	20.59	21.093	33	3.649	3.697	3.745	74	0.925	0.95	0.975
-7	19.176	19.636	20.106	34	3.516	3.563	3.611	75	0.897	0.922	0.947
-6	18.301	18.732	19.171	35	3.388	3.435	3.483	76	0.871	0.895	0.919
-5	17.472	17.875	18.285	36	3.266	3.313	3.36	77	0.845	0.869	0.893
-4	16.686	17.063	17.446	37	3.149	3.195	3.241	78	0.82	0.843	0.867
-3	15.94	16.292	16.65	38	3.037	3.082	3.128	79	0.796	0.819	0.842
-2	15.231	15.561	15.896	39	2.929	2.974	3.019	80	0.773	0.795	0.818
-1	14.559	14.867	15.18	40	2.826	2.87	2.915	81	0.751	0.773	0.795
0	13.92	14.208	14.501	41	2.726	2.77	2.815	82	0.729	0.751	0.773
1	13.313	13.582	13.856	42	2.631	2.675	2.718	83	0.708	0.729	0.751
2	12.736	12.988	13.244	43	2.54	2.583	2.626	84	0.688	0.709	0.73
3	12.188	12.423	12.662	44	2.452	2.494	2.537	85	0.668	0.689	0.709
4	11.666	11.887	12.11	45	2.368	2.409	2.451	86	0.649	0.669	0.69
5	11.17	11.376	11.585	46	2.287	2.328	2.369	87	0.631	0.651	0.671
6	10.698	10.891	11.086	47	2.209	2.25	2.29	88	0.613	0.632	0.652
7	10.249	10.429	10.611	48	2.135	2.174	2.214	89	0.596	0.615	0.634
8	9.822	9.99	10.16	49	2.063	2.102	2.141	90	0.579	0.598	0.617
9	9.414	9.572	9.73	50	1.994	2.032	2.071	91	0.563	0.581	0.6
10	9.027	9.173	9.321	51	1.927	1.965	2.003	92	0.548	0.566	0.584
11	8.657	8.794	8.932	52	1.863	1.901	1.938	93	0.533	0.55	0.568
12	8.305	8.432	8.561	53	1.802	1.839	1.876	94	0.518	0.535	0.553
13	7.969	8.088	8.208	54	1.743	1.779	1.815	95	0.504	0.521	0.538
14	7.648	7.76	7.872	55	1.686	1.721	1.757	96	0.49	0.507	0.524
15	7.343	7.446	7.551	56	1.631	1.666	1.701	97	0.477	0.493	0.51
16	7.051	7.148	7.245	57	1.579	1.613	1.647	98	0.464	0.48	0.496
17	6.773	6.863	6.953	58	1.528	1.561	1.595	99	0.452	0.467	0.483
18	6.507	6.5911	6.675	59	1.479	1.512	1.545	100	0.439	0.455	0.47
19	6.253	6.331	6.41	60	1.432	1.464	1.497				
20	6.011	6.083	6.156	61	1.386	1.418	1.451				





## Note

A series of horizontal dotted lines for taking notes.

**Note**

.....

.....

.....

.....

.....

.....

.....

.....

.....

.....

.....

.....

.....

.....

.....

.....

.....

.....

.....

.....

.....

.....

.....

.....

.....

.....

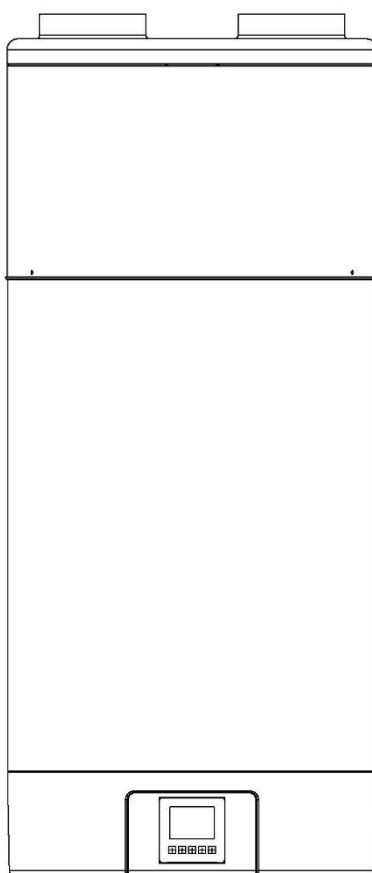
.....

.....



# POMPE À CHALEUR POUR L'EAU CHAUDE SANITAIRE

MANUEL D'INSTALLATION ET D MANUEL D'UTILISATION



## IMPORTANT NOTE:


Nous vous remercions d'avoir acheté notre produit. Avant d'utiliser l'appareil, veuillez lire attentivement ce manuel et le conserver pour référence ultérieure.



## TABLE DES MATIÈRES

INTRODUCTION .....	3
L'unité .....	3
CONSIGNES DE SÉCURITÉ .....	4
ATTENTION .....	4
MISES EN GARDE .....	5
CONTENU .....	6
PRÉSENTATION DE L'UNITÉ .....	7
Composants : .....	7
Dimensions .....	8
Comment remplacer l'anode de magnésium .....	9
Schéma du circuit d'eau et de refroidissement .....	9
INSTALLATION .....	10
Transport .....	10
Espace d'installation minimal requis .....	11
Vue d'ensemble de l'installatio .....	12
Positionnement .....	15
Raccordement du circuit hydraulique .....	16
Remplissage et vidange de l'eau du réservoir .....	16
Connexion des câbles .....	16
Mise en marche .....	17
FONCTIONNEMENT DE L'UNITÉ .....	18
Interface utilisateur et fonctionnement .....	18
Icônes LED .....	21
CONTRÔLE PARAMÈTRES ET RÉGLAGES .....	23
Liste paramètres .....	23
Dysfonctionnements et codes d'erreur .....	26
MAINTENANCE .....	28
SCHÉMA ÉLECTRIQUE .....	30
SPÉCIFICATIONS TECHNIQUES .....	31
TABLE DE CONVERSION DU CAPTEUR DE TEMPÉRATURE R-T .....	32

 LIRE ATTENTIVEMENT CE MANUEL AVANT DE METTE L'UNITÉ EN MARCHÉ. LE CONSERVER POUR TOUTE RÉFÉRENCE FUTURE.

 AVANT D'ACTIONNER L'UNITÉ, S'ASSURER QUE L'INSTALLATION A ÉTÉ EFFECTUÉE CORRECTEMENT PAR UN REVENDEUR PROFESSIONNEL. SI VOUS N'ÊTES PAS SÛR DU FONCTIONNEMENT, CONTACTER LE REVENDEUR POUR OBTENIR DES CONSEILS ET DES INFORMATIONS.

# INTRODUCTION

## Manuel

Ce manuel inclut les informations nécessaires de l'unité. Lire attentivement le manuel avant d'utiliser le produit.

## L'unité

La pompe à chaleur pour ECS est l'un des systèmes les moins chers du marché pour le chauffage de l'eau sanitaire domestique. Grâce à l'utilisation d'énergie renouvelable gratuite (air), elle peut atteindre une efficacité maximale en maintenant de faibles coûts de gestion. Son efficacité peut être jusqu'à 3 ~ 4 fois plus élevée que les chaudières à gaz conventionnelles et que les chaudières électriques.

### Récupération de la chaleur résiduelle

Les unités peuvent être installées à proximité de la cuisine, dans la chaufferie ou dans le garage, dans toutes les pièces ayant une grande quantité de chaleur perdue afin que l'unité ait une plus haute efficacité énergétique même avec des températures extérieures très basses en hiver.

### Eau chaude et déshumidification

L'unité peut être placée dans la buanderie, car lorsqu'elle produit de l'eau chaude, elle réduit la température et déshumidifie la pièce. Les avantages sont plus visibles au cours des saisons les plus humides.

### Refroidissement de la pièce

Les unités peuvent être placées dans le réfrigérateur car la basse température permet de conserver les aliments.

### Eau chaude et ventilation

L'unité peut être placée dans le garage, la salle de musculation, la cave, etc. En produisant de l'eau chaude, elle refroidit la pièce et produit de l'air frais.

### Compatible avec plusieurs sources d'énergie

L'unité est compatible avec les panneaux solaires, les pompes à chaleur externes, les chaudières et autres sources d'énergie.

### Système de chauffage écologique et économique

L'unité représente l'alternative la plus efficace et la plus économique aux chaudières et aux systèmes de chauffage à combustibles fossiles, grâce à l'utilisation de l'air comme source d'énergie.

### Design compact

L'unité est spécialement conçue pour être installée dans un environnement domestique. Sa structure extrêmement compacte et son design élégant sont parfaits pour une installation en intérieur.

### Multifonction

La conception spéciale de l'entrée et de la sortie de l'air la rend adaptée à différents modes de fonctionnement/installation. Les différents modes d'installation permettent de la faire fonctionner comme une simple pompe à chaleur mais aussi comme un ventilateur, un déshumidificateur ou un dispositif de récupération d'énergie.

### **Autres caractéristiques**

Le réservoir en acier inoxydable assure la durabilité dans le temps. Compresseur à haute efficacité avec gaz réfrigérant R134a.

Les éléments électriques assurent une eau chaude constante, même au cours d'hivers extrêmement froids.

## **CONSIGNES DE SÉCURITÉ**

Pour éviter les blessures/dommages matériels et/ou personnels, les consignes suivantes doivent être respectées. Le mauvais usage peut provoquer un danger et/ou des dommages.

Installer conformément aux réglementations, aux règlements et aux normes locales. Contrôler la tension et la fréquence avant de procéder à l'installation

Elle est prévue pour être uniquement installée pour des prises avec mise à la terre, et une tension de connexion de 220-240V ~ / 50Hz.

Les précautions de sécurité suivantes doivent toujours être prises en compte :

- S'assurer de lire la CONSIGNE suivante avant d'installer l'unité.
- S'assurer de respecter les précautions spécifiées ici car elles incluent des éléments importants concernant la sécurité.
- Après avoir lu ces instructions, s'assurer de le conserver à portée de main pour toute référence future.

## **ATTENTION**



### **Ne pas installer l'unité soi-même.**

Une installation incorrecte peut provoquer des dommages, des incendies, des décharges électriques, une rupture de la pompe à chaleur et/ou des fuites d'eau. Consulter l'installateur spécialisé auquel l'unité a été achetée avant de procéder à l'installation

### **Installer l'unité de manière sûre.**

La surface d'appui doit être plane pour supporter le poids, pour être adaptée à l'installation de l'unité et pour éviter les augmentations du bruit ou des vibrations. Lors de l'installation de l'unité dans une petite pièce, des mesures adéquates (comme une ventilation suffisante) doivent être prévues pour empêcher l'asphyxie causée par une fuite de gaz réfrigérant.

### **Utiliser les câbles électriques spécifiques et connecter solidement les câbles au bornier.**

Une connexion et fixation incorrectes peuvent provoquer un incendie.

### **S'assurer d'utiliser les pièces fournies ou spécifiques à l'installation.**

L'utilisation de pièces défectueuses peut provoquer des dommages, des incendies, des chocs électriques, etc.

### **Effectuer l'installation électrique en respectant les indications du manuel d'installation. S'assurer d'utiliser une section spéciale de 16A.**

Si la capacité du circuit d'alimentation est insuffisante ou en présence d'un circuit électrique incomplet, un incendie ou une décharge électrique pourrait se produire.

### **L'unité doit toujours avoir une connexion à la terre.**

Si l'alimentation n'est pas branchée à la terre, la pompe à chaleur ne peut pas être branchée.



**Ne jamais utiliser de rallonge pour connecter l'unité à l'alimentation électrique.**

Si aucune prise murale dotée d'une mise à la terre n'est disponible, la faire installer par un électricien.

**Ne pas déplacer / réparer l'unité soi-même.**

Si le cordon d'alimentation est endommagé, il doit être remplacé par le fabricant, par son agent de service ou par une personne qualifiée pour éviter tout danger. Des mouvements ou réparations incorrectes réalisées sur l'appareil pourraient provoquer des fuites d'eau, des décharges électriques, des blessures ou des incendies.

**Tenir hors de la portée des enfants.**

L'unité n'est pas destinée à être utilisée par des enfants, par des personnes ayant des capacités physiques ou mentales réduites, ou par des personnes sans expérience et/ou connaissance du produit, à moins qu'ils ne soient supervisés et/ou instruits sur l'utilisation par un technicien qualifié

Les enfants doivent être surveillés pour s'assurer qu'ils ne jouent pas/n'entrent pas en contact avec l'appareil.

**Ne pas enlever les étiquettes présentes sur la pompe à chaleur.**

Les étiquettes sont destinées à avertir ou à appeler, leur conservation peut assurer des opérations en toute sécurité.

## MISES EN GARDE



### CAUTION

**Ne pas installer dans un endroit où il existe un risque de fuites de gaz inflammables.**

S'il y a une fuite de gaz et qu'elle s'accumule dans la zone autour de l'unité, elle pourrait provoquer une explosion.

**Effectuer les travaux d'évacuation/conduits conformément aux instructions d'installation.**

En cas de défaut dans l'évacuation conduits, l'eau pourrait fuir et provoquer des dommages aux objets dans la maison.

**Ne pas nettoyer l'unité lorsque l'alimentation est ALLUMÉE.**

Toujours couper l'alimentation pendant le nettoyage ou la maintenance de l'unité. Ne pas le faire pourrait entraîner des blessures dues au ventilateur à grande vitesse ou à une décharge électrique.

**Ne pas continuer à faire fonctionner l'unité lorsque quelque chose ne va pas ou en cas d'odeur étrange.**

L'alimentation doit être sur « OFF » pour arrêter l'unité ; sinon, cela pourrait provoquer une décharge électrique ou des incendies.

**Ne pas mettre ses doigts ou autre dans le ventilateur ou l'évaporateur.**


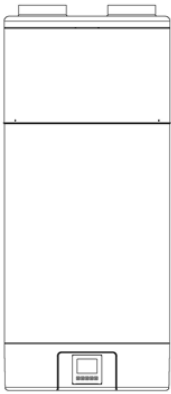



Les parties internes de la pompe à chaleur peuvent fonctionner à grande vitesse ou à haute température et peuvent causer de graves blessures. Ne pas enlever les grilles qui protègent le ventilateur et le couvercle supérieur. Ne pas insérer ses doigts, ses mains ou autre dans le ventilateur et/ou l'évaporateur.

L'eau chaude peut être mélangée à de l'eau froide, car une eau trop chaude (supérieure à 50°C) dans l'unité de chauffage peut provoquer des blessures.

La hauteur d'installation de l'alimentation doit être supérieure à 1,8 m, pour éviter que des éclaboussures d'eau n'endommagent l'unité.

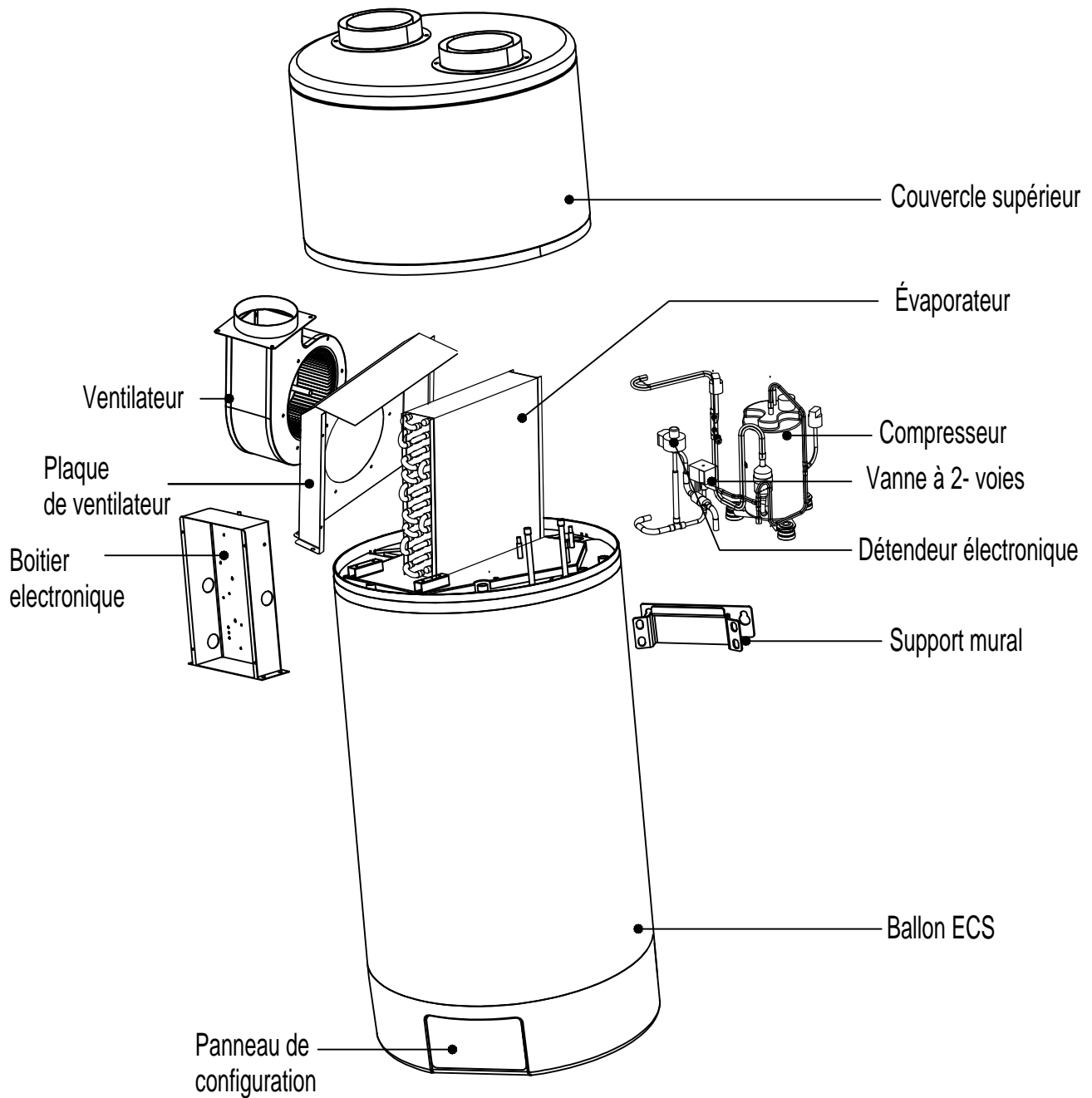
## CONTENU

Avant de procéder à l'installation, s'assurer que toutes les pièces sont contenues à l'intérieur de la boîte fournie :

Dans l'emballage		
Article	Image	Quantité
Pompe à chaleur pour ECS		1
Manuel d'installation et d'utilisation	<p><b>POMPE À CHALEUR POUR EAU CHAUDE SANITAIRE</b></p> <p>MANUEL D'INSTALLATION ET D'UTILISATION</p>  <p><small>IMPORTANT NOTE: Grazie per avere acquistato il nostro prodotto. Prima di utilizzare l'unità, leggere attentamente il presente manuale e conservarlo per poterlo consultare in futuro.</small></p>   	1

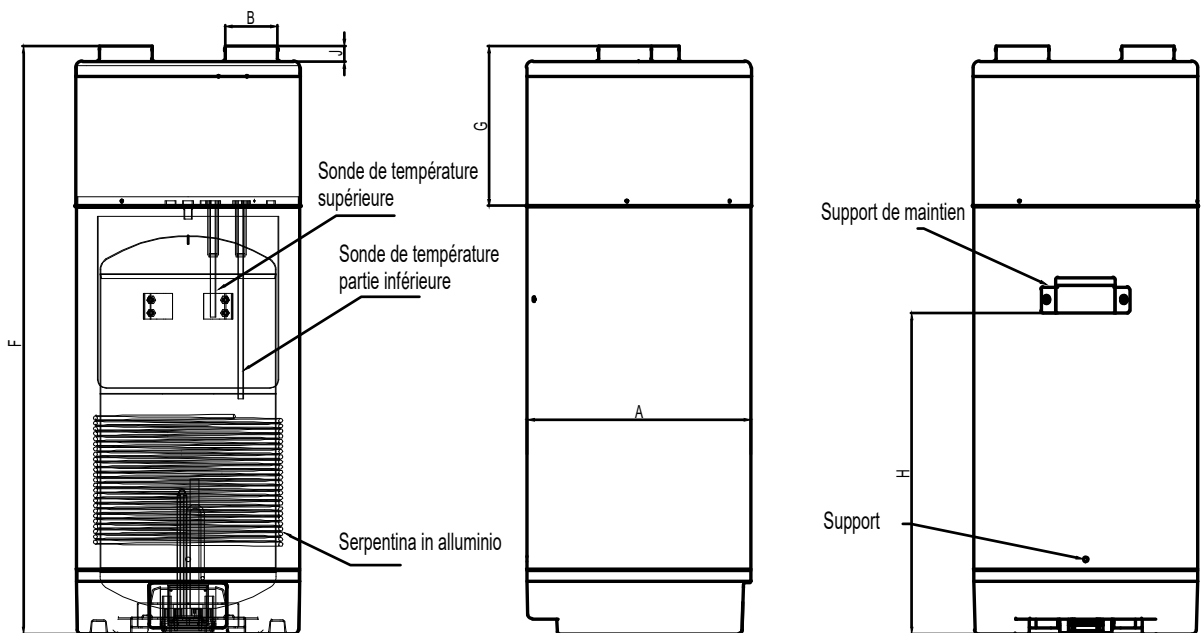
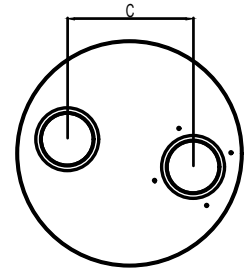
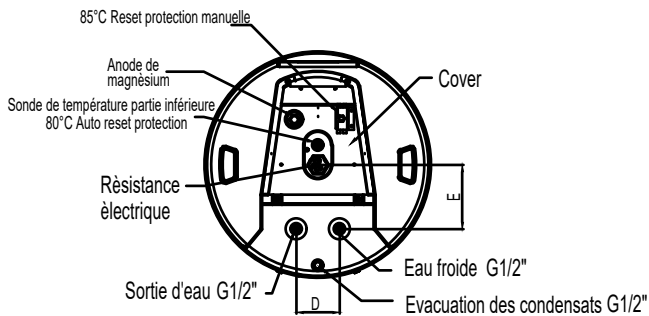
## PRÉSENTATION DE L'UNITÉ

### Composants :



# Dimensions

## Model: 80L-100L



	80L	100L		80L	100L
A	Φ520	Φ520	F	1160	1367.5
B	Φ122	Φ122	G	370	370
C	292	292	H	540	750
D	100	100	J	35	35
E	150	150	\		

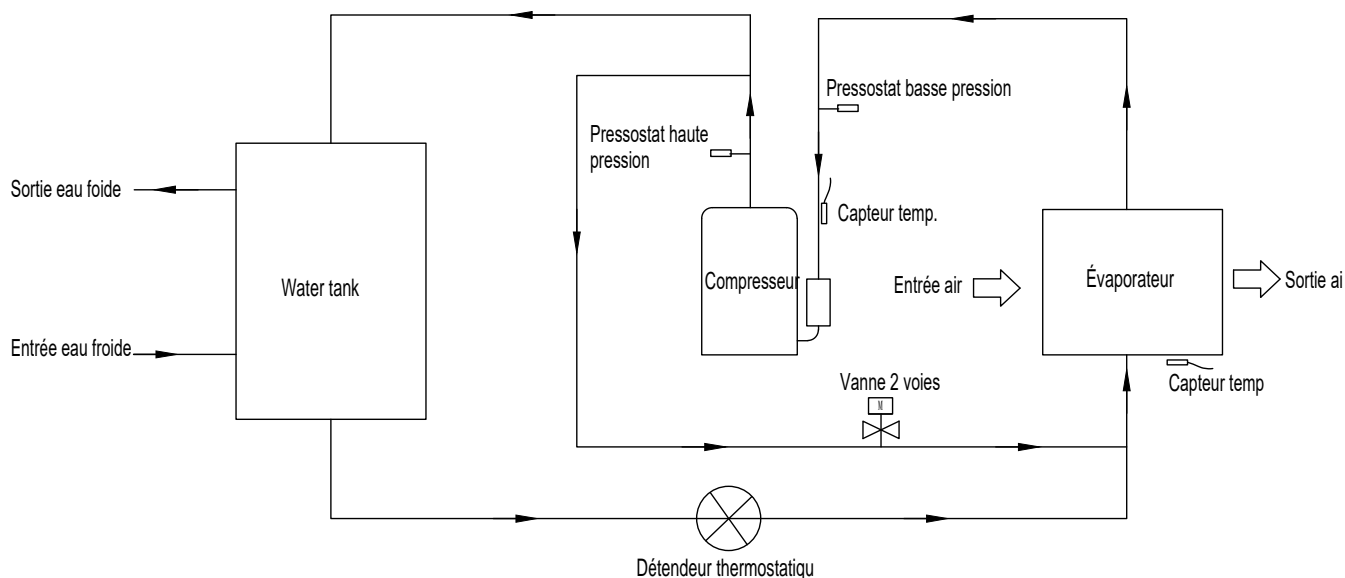
### Observations :

- 1) La source de chaleur supplémentaire est facultative.
- 2) L'anode de magnésium est un élément anti corrosion. Elle est assemblée dans le réservoir d'eau pour empêcher la création de saleté autour du réservoir interne et pour protéger le réservoir et les autres composants. Vérifiez l'état de magnésium chaque année et la remplacer si nécessaire !

### Comment remplacer l'anode de magnésium

- Éteindre l'unité et couper l'alimentation
- Vider toute l'eau du réservoir.
- Enlever l'ancienne anode de magnésium du réservoir.
- Installer la nouvelle anode de magnésium.
- Remplir de nouveau le réservoir d'eau.

### Schéma du circuit d'eau et de refroidissement



### Choisir l'unité adaptée

Faire référence au tableau suivant pour choisir l'unité adaptée.

Membres famille	Capacité accumulation
1 ~ 2 personnes	80L - 110L

**Remarques :** Ce tableau n'est fourni qu'à titre indicatif.

## INSTALLATION

- L'unité doit être installée par un technicien qualifié
- Il est fortement recommandé d'installer l'unité en intérieur. Il est interdit d'installer l'unité en extérieur ou dans des endroits non protégés de la pluie/intempéries.
- Il est conseillé d'effectuer l'installation dans un endroit sans lumière directe du soleil ou autres sources de chaleur. Si ce n'est pas possible, prière de protéger l'unité avec une couverture spéciale.
- L'unité doit être solidement fixée sur une surface plane pour éviter les bruits et/ou les vibrations
- S'assurer qu'il n'y a pas d'obstacles autour de l'unité.
- Il est conseillé d'effectuer l'installation dans un endroit protégé du vent.

## Transport

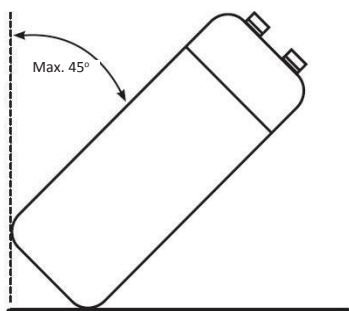
En règle générale, l'unité doit être stockée et/ou transportée en position verticale et sans eau à l'intérieur. Pour le transport sur de courtes distances (à condition qu'il soit effectué avec une précaution extrême), l'angle d'inclinaison autorisé peut aller jusqu'à 30 degrés, durant le transport mais aussi durant le stockage. Résiste à des températures ambiantes de -20 à +70 degrés Celsius.

### - Utilisation d'un chariot élévateur

En cas de déplacement/transport à travers l'utilisation d'un chariot élévateur, l'unité doit rester ancrée sur la pale d'appui. La vitesse de levage doit être réduite au minimum. Porter une attention particulière au risque de renversement de l'unité. Pour éviter tout dommage, l'unité doit être placée sur une surface plane.

### - Transport manuel

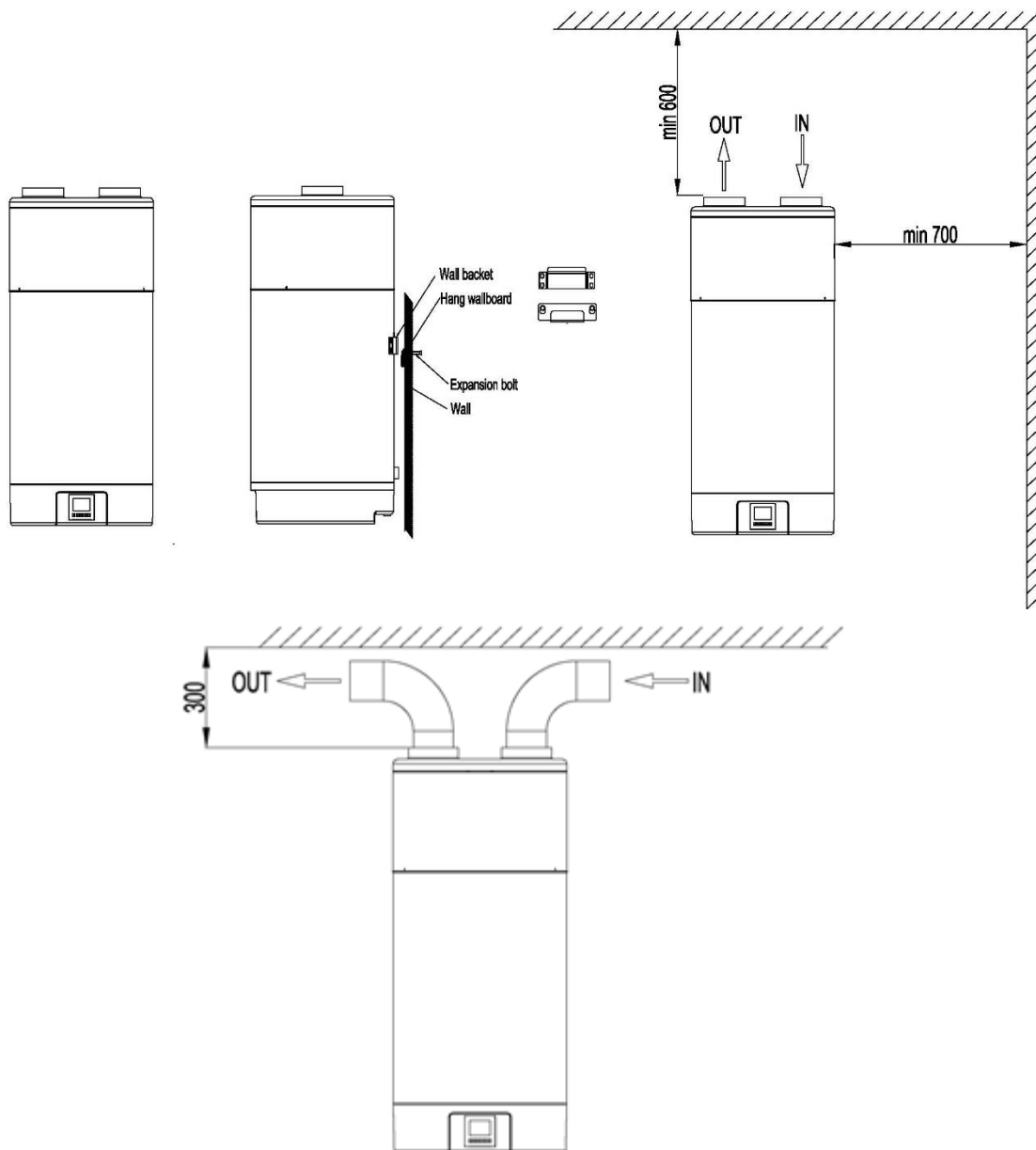
Une pale en bois / plastique peut être utilisée pour le transport manuel. Le déplacement manuel de la pompe à chaleur est également possible à l'aide de câbles ou de sangles adaptées au transport. Il est conseillé de ne pas dépasser l'angle **d'inclinaison maximal admissible de 45 degrés**. Si le transport en position inclinée est inévitable, l'unité devra être mise en marche au moins une heure après l'avoir positionnée à la verticale.



ATTENTION : prêter une attention particulière au risque de renversement de l'unité.

## Espace d'installation minimal requis

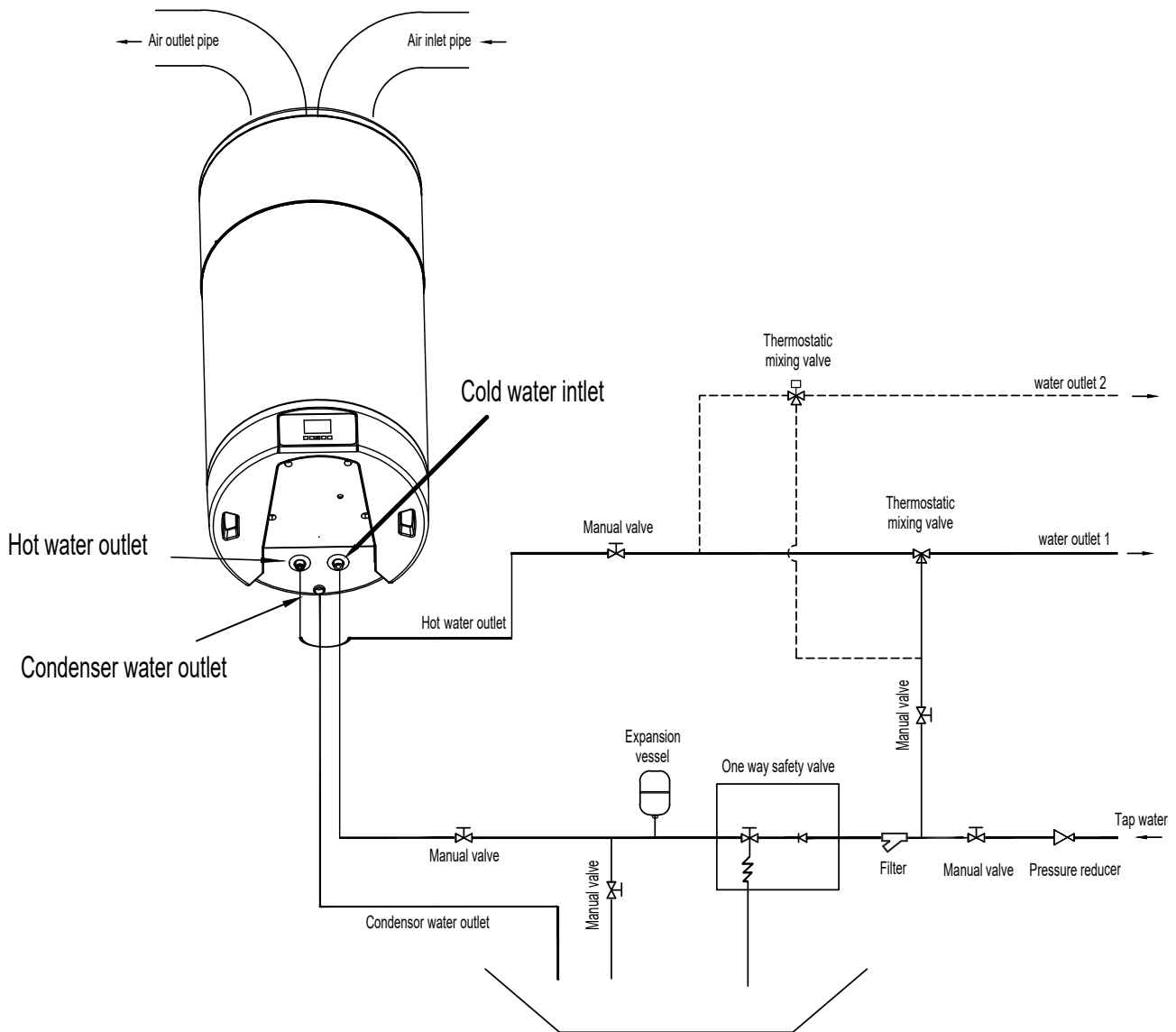
Ci-dessous est indiqué l'espace minimal requis pour les activités d'assistance et de maintenance de l'unité.



### Remarques :

- Séparer les tuyaux d'entrée et de sortie de l'air pour éviter toute perte de rendement dans la pompe à chaleur ;
- Si l'unité est raccordée aux conduits d'air, le conduit doit avoir une taille de **120 mm (diamètre)** ou le tuyau flexible utilisé doit avoir un diamètre intérieur de 180 mm. La longueur totale des conduits ne doit pas dépasser les 8 mètres ou la **pression statique maximale de l'air ne doit pas dépasser les 60 Pa**. Un type de canalisation inadéquat pénalise les performances du produit et augmente significativement les temps de chauffage.
- Si les tuyaux d'entrée et/ou de sortie d'air ne sont pas raccordés, le **volume du local** où le chauffe-eau est installé dans la pompe à chaleur doit être **supérieur à 15m<sup>3</sup>**.

## Vue d'ensemble de l'installation



### Remarques :

- Il est nécessaire d'ajouter un **vase d'expansion** en fonction de la capacité du réservoir ;
- Il est obligatoire d'ajouter une **souppape de sécurité** pression/température ;
- Il est obligatoire d'ajouter un **réducteur de pression** en amont du circuit ;
- Il est nécessaire d'ajouter un **dispositif de traitement de l'eau** (adoucisseur, filtre, etc.) ;





ATTENTION :

- La **soupape de sécurité doit obligatoirement être installée**. Son absence peut entraîner des dommages à l'unité, voire des dommages personnels.
- La valeur de consigne de cette soupape de sécurité est de 0,7 MPa. Consulter le croquis de la connexion du tuyau pour le lieu d'installation
- Le tuyau de vidange raccordé à la soupape de sécurité doit être installé de manière continue vers le bas.
- L'eau peut s'égoutter du tuyau de vidange de la soupape de sécurité ; le tuyau doit par conséquent être laissé ouvert à l'air.
- Éliminer régulièrement les dépôts de calcaire de la soupape de sécurité et vérifier qu'elle n'est pas bloquée. Veiller à ne pas se brûler à cause raison de la température élevée de l'eau.
- L'eau du réservoir peut être vidée par le trou d'évacuation présente au fond du réservoir.
- Une fois tous les tuyaux raccordés, allumer l'unité et remplir le réservoir. Éteindre toutes les vannes et vérifier tous les tuyaux. En cas de fuite, vérifier et procéder à la réparation
- Si la pression de l'eau d'entrée est inférieure à 0,15 MPa, un surpresseur doit être installé à l'entrée de l'eau. Si la pression est supérieure à 0,65 Mpa, une **vanne de réduction doit être installée sur le tuyau d'entrée de l'eau** pour assurer une longue durée de vie du réservoir.
- Les **filtres sont nécessaires dans l'aspiration de l'air**. Si l'unité est connectée aux conduits d'air, le filtre doit être monté dans l'entrée d'air du conduit.
- Pour évacuer de manière fluide l'eau de condensation de l'évaporateur, installer l'unité sur une surface plane.
- À défaut, s'assurer que l'évent d'évacuation se trouve au point le plus bas. L'angle d'inclinaison de l'unité ne doit pas dépasser les 2 degrés.

## Positionnement

- (1) Aspiration et expulsion dans la même pièce que la machine : la pièce doit être correctement aérée.
- (2) Aspiration et expulsion dans la même pièce que la machine : la pièce doit être correctement aérée.
- (3) Aspiration et expulsion dans la même pièce que la machine : la pièce doit être correctement aérée.
- (4) Expulsion canalisée et aspiration libre : l'aspiration de l'air a lieu à l'intérieur de la pièce où se trouve la pompe à chaleur. Cela permet de soustraire la chaleur de la pièce pour l'expulser à l'extérieur. La pièce doit être suffisamment aérée pour éviter le risque de dépression.



## Raccordement du circuit hydraulique

Portez une attention particulière aux points suivants lors du raccordement du tuyau au circuit hydraulique :

1. Essayez de réduire la résistance du circuit hydraulique ;
2. Assurez-vous qu'il n'y a rien dans le tuyau et vérifiez les fuites, puis isolez le tuyau ;
3. Installez la valve à sens unique et la valve de sécurité dans le système de circulation de l'eau ;
4. Utilisez des tuyaux appropriés en tenant compte de la pression de l'eau et de la chute de pression attendue dans les tuyaux ;
5. Les conduites d'eau peuvent être de type flexible. Pour éviter les dommages dus à la corrosion, assurez-vous que les matériaux utilisés dans le système de tuyauterie sont appropriés.
6. Toute contamination de l'ensemble du système de plomberie doit être évitée lors de l'installation de nouvelles canalisations.

## Remplissage et vidange de l'eau du réservoir

### Remplissage du réservoir :

Si l'unité est utilisée pour la première fois ou après avoir vidé le réservoir, s'assurer que le réservoir est plein d'eau avant de l'allumer.

- Ouvrir la vanne d'entrée d'eau froide et la vanne de sortie d'eau chaude
- Lancer l'opération d'arrivée d'eau jusqu'au remplissage du réservoir.
- Fermer la vanne de sortie d'eau chaude. l'opération est terminée.



**ATTENTION :** Le fonctionnement sans eau à l'intérieur du réservoir peut endommager la résistance électrique auxiliaire !

### Vidange du réservoir :

S'il est nécessaire de nettoyer ou de déplacer l'appareil, le réservoir doit être vidé.

- Fermer la vanne d'entrée d'eau froide.
- Ouvrir la vanne de sortie d'eau chaude et ouvrir la vanne manuelle du tuyau de vidange
- Vider le réservoir.
- Fermer la vanne manuelle.

## Connexion des câbles

- Le cordon d'alimentation doit être de **3\*1,5 mm<sup>2</sup>**.
- Le fusible doit être T 3,15 A - 250 V
- Un interrupteur doit être présent lors de la connexion de l'unité au système d'alimentation. Le courant de l'interrupteur est de 10A.
- L'unité doit être installée avec un disjoncteur DDR à proximité de l'alimentation électrique et doit être correctement mise à la terre. La spécification du disjoncteur DDR est de 30 mA, inférieure à 0,1 s.

L'UNITÉ DOIT ÊTRE INSTALLÉE CONFORMÉMENT AUX RÉGLEMENTATIONS NATIONALE EN VIGUEUR.

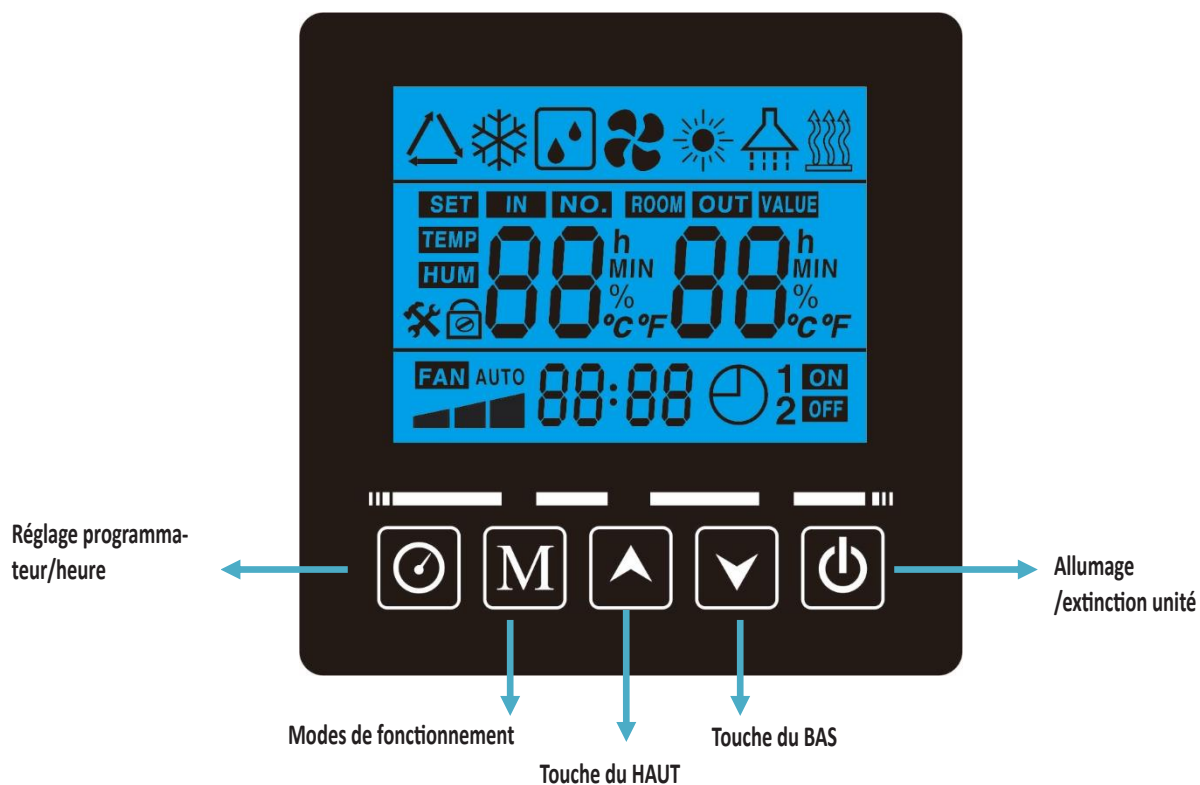
## Mise en marche

### Vérifications avant la mise en service

- Vérifier la présence d'eau dans le réservoir et la connexion correcte du tuyau d'eau.
- Vérifier le système d'alimentation et s'assurer que le branchement du câble est correct.
- Vérifier la pression de l'eau d'entrée et s'assurer que la pression est suffisante (supérieure à 0,15 MPa).
- Vérifier l'absence de fuites et s'assurer que le réservoir est plein d'eau avant de l'allumer.
- Contrôler l'unité dans son ensemble et s'assurer que tout est correctement installé avant de l'allumer, vérifier l'éclairage de l'unité de commande lorsque l'unité est en marche.
- Utiliser l'unité de commande pour mettre l'unité en marche.
- Éteindre l'unité en cas d'anomalies (même au niveau du son).
- Garder la température de l'eau sous contrôle, en mesurant.
- Une fois les paramètres définis, prière de ne pas les modifier. Prière de contacter un technicien spécialisé pour toute modification des paramètres configurés.

# FONCTIONNEMENT DE L'UNITÉ

## Interface utilisateur et fonctionnement



## Fonctionnement

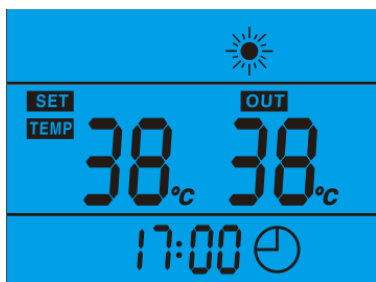
### 1. 'ON'

À l'allumage de l'unité, toutes les icônes s'allument pendant 3 secondes sur l'écran de l'unité de commande. L'unité se met ensuite en mode standby.



### 2. Allumage/Extinction

Appuyer sur la touche pendant 3 secondes quand l'unité est en veille, l'unité s'allume. Appuyer sur la touche pendant 3 secondes quand l'unité est en marche, l'unité s'éteint. Appuyer brièvement sur la touche pour modifier les paramètres ou les réglages.



### 3. Touche ▲ et ▼

- Elles sont utilisées pour le réglage de la température et des différents paramètres, pour le contrôle des paramètres et pour le réglage de l'heure et du programmeur.
- Durant le fonctionnement de l'unité, appuyer sur ▲ ou ▼ pour régler directement la température définie
- Lorsque l'unité est en mode de réglage de l'heure, il est possible de régler l'heure (s) et les minutes (s) de l'horloge.
- Lorsque l'unité est en mode de réglage de l'heure, il est possible de régler l'heure (s) et les minutes (s) du programmeur pour l'allumage/extinction de l'unité.

### 4. ☰ touche

#### Réglage de l'heure :

- Pression longue ☰ 3s pour déverrouiller l'afficheur ;
- Quand l'afficheur est allumé, appuyer brièvement sur ☰ pour accéder à l'interface de réglage de l'heure ; l'icône de l'heure « 88 » commence à clignoter. Appuyer sur les touches ▲ et ▼ pour régler l'heure (s) exacte ;
- Quand l'heure est réglée, appuyer brièvement sur ☰ pour accéder à l'interface de réglage de l'heure ; l'icône des minutes « 88 » commence à clignoter. Appuyer sur les touches ▲ et ▼ pour régler les minutes (s) exactes ;
- Appuyer de nouveau sur ☰ pour confirmer l'heure.

#### Réglage programmeur :

Maintenir la touche ☰ enfoncée pendant 3 s. pour accéder à l'interface de réglage du programmeur. Une fois entré appuyer sur la touche du temps pour régler l'heure et les minutes souhaitées pour l'ON/OFF du programmeur. Quand l'icône de l'heure et des minutes clignote, appuyer sur ▲ et ▼ pour régler l'heure souhaitée.

Le programmeur ON/OFF peut être réglé indépendamment.

Quand le programmeur « ON » clignote, cela signifie que la fonction du programmeur de démarrage peut être annulée. En appuyant alors sur le bouton M, « ON » ne clignote pas pour indiquer que la fonction de démarrage du programmeur est active, puis appuyer sur M, « ON » clignote pour annuler la fonction du programmeur.

En appuyant de nouveau sur la touche programmeur, « OFF » apparaîtra, et il sera possible de régler le programmeur d'extinction. Quand « OFF » clignote, cela signifie annuler la fonction programmeur d'extinction. Appuyer alors sur M, et « OFF » ne

clignotera plus, ce qui signifie que la fonction programmeur d'extinction est activée. En appuyant sur M, « OFF » clignote et cela signifie que la fonction programmeur d'extinction n'est plus active.

En cas de page de verrouillage, appuyer sur n'importe quelle touche pour allumer l'afficheur. Après avoir allumé l'afficheur, **maintenir la touche du programmeur enfoncée pendant 3 secondes pour déverrouiller.**

Si aucune opération n'est effectuée pendant 30 secondes, l'afficheur quitte automatiquement l'interface principale et verrouille l'afficheur.

## REMARQUES :

- 1) Les fonctions « ON » et « OFF » du programmateur peuvent être réglées simultanément.
- 2) Les réglages du programmateur se répètent.
- 3) Les réglages du programmateur restent valables et fonctionnent même après une coupure de courant

## 5. **M** touche

- Lorsque l'écran est déverrouillé,

1) Appuyer brièvement sur **M**, il est possible de définir le mode de fonctionnement :

- AUTO Mode (pompe à chaleur + résistance électrique)
- GREEN Mode (pompe à chaleur uniquement)
- Boost Mode (pompe à chaleur + résistance électrique en même temps)
- E-heater Mode (résistance électrique uniquement)
- Ventilation mode (ventilateur uniquement)

2) Contrôle des paramètres de fonctionnement

- Appuyer sur la touche pendant 3 secondes pour accéder à l'interface de contrôle des paramètres du système.
- Appuyer sur **▲** ou **▼** pour contrôler les paramètres du système.

3) Régler les paramètres du système

- Appuyer sur **M** pendant 3 secondes pour accéder au contrôle des paramètres du système.
- Appuyer sur **▲** ou **▼** pour sélectionner le paramètre (paramètres A-F non réglables), et appuyer sur **M** pour confirmer.
- Appuyer sur **▲** et **▼** pour régler le paramètre sélectionné, et appuyer sur **M** pour confirmer le nouveau réglage.

Si aucune opération n'est réalisée pendant 10 secondes, l'unité de commande quittera l'interface et enregistrera automatiquement les réglages.

REMARQUES : les paramètres sont déjà prédéfinis ; l'utilisateur ne peut les modifier qu'avec l'assistance d'un technicien qualifié

## 6. Codes d'erreur

En cas de dysfonctionnement, l'unité se verrouille automatiquement et le code d'erreur s'affiche sur l'unité de commande.



## Icônes LCD

### 1. Fonction AUTO

L'icône indique que la fonction du mode automatique est activée.

### 2. Fonction ventilation

L'icône indique que la fonction de ventilation du ventilateur est activée.

### 3. Résistance électrique

L'icône indique que la fonction de chauffage électrique est activée. Le radiateur électrique fonctionne selon le programme de contrôle.

### 4. Dégivrage

L'icône indique que la pompe à chaleur est en phase de dégivrage.

### 5. Chauffage

L'icône indique que la pompe à chaleur est en marche.

### 6. Chauffage + résistance électrique

L'icône indique que la pompe à chaleur et la résistance électrique sont en marche.

### 7. Afficheur température - côté gauche

L'afficheur mesure la température de l'eau définie.

Durant le contrôle ou le réglage des paramètres, cette section montrera le paramètre correspondant.

### 8. Afficheur température - côté droit

L'afficheur mesure la température actuelle du réservoir d'eau.

Durant le contrôle ou le réglage des paramètres, cette section montrera la valeur correspondante. En cas de dysfonctionnement, cette section montrera le code d'erreur.

### 9. Afficheur heure

L'afficheur mesure l'heure ou le programmeur réglé.

### 10. Programmeur 'ON'

L'icône indique que la fonction du programmeur (allumage) est activée.

### 11. Programmeur 'OFF'

L'icône indique que la fonction du programmeur (extinction) est activée.

### 12. Erreur

L'icône indique la présence d'un dysfonctionnement.

# CONTRÔLE PARAMÈTRES ET RÉGLAGES

## Liste paramètres

Certains paramètres peuvent être contrôlés et réglés depuis l'unité de commande. Voici la liste de paramètres.

Parameter nr.	Description	Range	Default	Notes
<b>A</b>	Température inférieure eau du réservoir	-20 ~ 99°C		Valeur actuelle. L'erreur <b>P01</b> s'affichera en cas de défaut
<b>B</b>	Température supérieure eau du réservoir	-20 ~ 99°C		Valeur actuelle. L'erreur <b>P02</b> s'affichera en cas de défaut
<b>C</b>	Temp. serpentin vaporateur	-20 ~ 99°C		Valeur actuelle. L'erreur <b>P03</b> s'affichera en cas de défaut
<b>D</b>	Temp. gaz de retour	-20 ~ 99°C		Valeur actuelle. L'erreur <b>P04</b> s'affichera en cas de défaut
<b>E</b>	Temp. ambiante	-20 ~ 99°C		Valeur actuelle. L'erreur <b>P05</b> s'affichera en cas de défaut
<b>F</b>	Pas détenteur thermostatique	100 ~ 470 step		Non Réglable
<b>01</b>	Température ΔT pour le redémarrage du compresseur.	2 ~ 15°C	5°C	Réglable
<b>02</b>	Réservé			
<b>03</b>	Réservé			
<b>04</b>	Température de désinfection hebdomadaire -Anti legionella	50 ~ 70°C	70°C	Réglable; pour SAV.
<b>05</b>	Temps de désinfection à haute température Anti-legionella	0 ~ 90 min	30 min	Réglable; pour SAV.
<b>06</b>	Durée dégivrage	30 ~ 90 min	45 min	Réglable; pour SAV.
<b>07</b>	Température début dégivrage	-30 ~ 0°C	-7°C	Réglable; pour SAV.
<b>08</b>	Température fin dégivrage	2 ~ 30°C	20°C	Réglable; pour SAV.
<b>09</b>	Temps maximal cycle de dégivrage	1 ~ 12 min	12 min	Réglable; pour SAV.
<b>10</b>	Réglage détenteur thermostatique	0 (auto) 1 (manual)	0	Réglable; pour SAV.
<b>11</b>	Degré de surchau	-9 ~ 9°C	5°C	Réglable; pour SAV.
<b>12</b>	Pas pour le réglage manuel du détenteur thermostatique	10 ~ 47 step	35 step	Réglable; pour SAV. (N*10)
<b>13</b>	Ora di attivazione del ciclo disinfezione - Anti legionella	0 ~ 23	23	Réglable
<b>14</b>	Différence de température pour le démarrage de la résis.élec.	2 ~ 20°C	7°C	Réglable
<b>15</b>	Temps de fonctionnement cumulé du compresseur	10 ~ 80 min	30 min	Réglable; pour SAV.
<b>16</b>	Baisse temp. inférieure de l'eau dans le réservoir	0 ~ 20°C	2°C	Réglable; pour SAV.
<b>17</b>	Changer d'application	0: On/Off commutateur 1: Commutateur photovoltaïque (pv)	0	Règlable



## Dysfonctionnements et codes d'erreur

Messages d'erreur affichés en cas de dysfonctionnement, d'erreur, de réglage automatique mode de protection de l'unité.

Protection Dysfonctionnement	Code d'erreur	Voyant indicateur	Raisons possibles	Actions correctes
Standby		Noir		
Fonctionnement normal		Lumineux		
Défaut capteur inférieur de l'eau du réservoir	P01	☆● (1 flash foncé)	1) Circuit ouvert du capteur 2) Circuit court du capteur	1) Vérifier la connexion du capteur 2) Remplacer le capteur
Défaut capteur supérieure de l'eau du réservoir	P02	☆☆● (2 flashes 1 foncé)	1) Circuit ouvert du capteur 2) Circuit court du capteur	1) Vérifier la connexion du capteur 2) Remplacer le capteur
Défaut capteur température serpentin de l'évaporateur	P03	☆☆☆● (3 flashes 1 foncé)	1) Circuit ouvert du capteur 2) Circuit court du capteur	1) Vérifier la connexion du capteur 2) Remplacer le capteur
Défaut capteur température retour gaz	P04	☆☆☆☆● (4 flashes 1 foncé)	1) Circuit ouvert du capteur 2) Circuit court du capteur	1) Vérifier la connexion du capteur 2) Remplacer le capteur
Défaut capteur temp. ambiante	P05	☆☆☆☆☆● (5 flashes 1 foncé)	1) Circuit ouvert du capteur 2) Circuit court du capteur	1) Vérifier la connexion du capteur 2) Remplacer le capteur
Protection contre le gel en hiver	P06	☆☆☆☆☆☆● (10 flashes 1 foncé)	1) À l'état éteint, la partie inférieure du réservoir d'eau ≤ 5°C	1) Vérifiez la température sous le réservoir
Protection haute pression (Interrupteur HP)	E01	☆☆☆☆☆☆● (6 flashes 1 foncé)	1) Température d'entrée air trop haute 2) Peu d'eau dans le réservoir 3) Le groupe du détendeur thermostatique est bloqué 4) Trop de gaz réfrigérant 5) L'interrupteur est endommagé 6) Le gaz non comprimé se trouve dans le système de refroidissement	1) Contrôler si la température d'entrée d'air est supérieure à la limite 2) Contrôler si le réservoir est plein d'eau. À défaut, charger l'eau. 3) Remplacer le groupe du détendeur thermostatique 4) Évacuer l'excès de réfrigérant 5) Remplacer l'interrupteur endommagé 6) Vider puis recharger le réfrigérant

Protection basse pression (interrupteur BP)	E02	☆☆☆☆☆☆☆ ☆☆● (7 flashes foncé)	1) Température entrée air trop basse 2) Le groupe du détendeur thermostatique est bloqué 3) Trop peu de gaz réfrigérant 4) L'interrupteur est endommagé 5) Le ventilateur ne peut pas fonctionner	1) Contrôler si la température d'entrée d'air est inférieure à la limite de fonctionnement 2) Remplacer le groupe du détendeur thermostatique 3) Ajouter gaz réfrigérant 4) Remplacer l'interrupteur endommagé 5) Contrôler le fonctionnement du ventilateur lorsque le compresseur se met en marche. S'il ne fonctionne pas, il pourrait y avoir des problèmes au niveau du ventilateur.
Protection contre la surchauffe (interrupteur HTP)	E03	☆☆☆☆☆☆☆ ☆☆● (8 flashes foncé)	1) Temp. eau réservoir trop haute 2) L'interrupteur est endommagé	1) Si la temp. de l'eau est > 85°C, l'interrupteur s'ouvre et l'unité passe en mode de protection 2) Remplacer l'interrupteur endommagé
Protection du compresseur (hors limite ambiante ou limite de temp. de l'eau)	PA	☆☆☆☆☆☆☆ ☆☆☆● (9 flashes 1 foncé)	1) Température eau réservoir trop haute 2) Interrupteur endommagé	1) Si la température de l'eau du réservoir est supérieure à 85°C, l'interrupteur s'ouvre et l'unité s'arrêtera pour la protection. Une fois que l'eau a atteint sa température normale, 2) Installer un nouvel interrupteur
Dégivrage	De-frosting	☆☆☆☆☆☆☆ ☆☆.....(flash longs)		
Erreur de communication	E08	Lumineux	La ligne de communication n'est pas introduite dans la prise.	Contrôler si la prise de la ligne de communication est introduite

## MAINTENANCE

Afin de garantir un fonctionnement optimal de l'unité, il est nécessaire d'effectuer des contrôles sur l'unité et sur les branchements électriques à intervalles réguliers, de préférence au moins une fois par an.

- Contrôler fréquemment l'alimentation de l'eau et la prise d'air, pour éviter le manque d'eau ou d'air dans le circuit.
- Nettoyer le filtre à eau pour maintenir une bonne qualité de l'eau. Le manque d'eau et/ou la présence d'eau sale peut endommager l'unité.
- Conserver l'unité dans un endroit sec et propre, avec une bonne ventilation. Nettoyer l'échangeur de chaleur tous les 1/2 mois.
- Contrôler régulièrement chaque partie de l'unité et la pression du système. Remplacer toutes les pièces défectueuses et recharger le réfrigérant si nécessaire.
- Contrôler l'alimentation et le circuit électrique, s'assurer que les composants électriques sont en bon état et que le câblage est correct. En cas de pièces endommagées ou en présence d'une odeur étrange, remplacer ces pièces dès que possible.
- En cas de longues périodes d'inutilisation de la pompe à chaleur, vider toute l'eau du réservoir et sceller l'unité pour la maintenir dans de bonnes conditions. Prière de vidanger l'eau à partir du point le plus bas. Avant de redémarrer l'unité, il est nécessaire de remplir de nouveau le réservoir et d'inspecter complètement la pompe à chaleur.
- Ne pas couper l'alimentation lors de l'utilisation de l'unité en mode continu
- Garder l'unité propre à l'aide d'un chiffon doux et humide.
- Un nettoyage régulier du réservoir est conseillé pour maintenir les performances.
- Il est conseillé de régler une température plus basse pour réduire la libération de chaleur et économiser de l'énergie.
- Nettoyer régulièrement le filtre à air pour maintenir les performances.

## GUIDE DE DÉPANNAGE

Cette section fournit des informations utiles pour diagnostiquer et corriger certains problèmes qui peuvent survenir. Avant de commencer la procédure de dépannage, effectuer une inspection visuelle complète de l'unité et vérifier s'il existe des défauts évidents tels que des connexions desserrées ou un câblage défectueux.



LORS DU CONTRÔLE SUR LE TABLEAU DE L'UNITÉ, TOUJOURS S'ASSURER QUE L'INTERRUPTEUR PRINCIPAL DE L'UNITÉ EST ÉTEINT.

Les lignes directrices suivantes peuvent aider à résoudre ce problème. S'il est impossible de résoudre le problème seul, consulter l'installateur / un technicien spécialisé.

- Aucune icône présente sur l'unité de commande (afficheur vide). Vérifier que l'alimentation est encore connectée.
- Si un code d'erreur s'affiche, contacter le technicien spécialisé.
- Le programmateur réglé fonctionne mais les actions programmées sont effectuées au mauvais moment (par exemple 1 heure de retard ou d'avance). Vérifier si l'heure et le jour de la semaine sont correctement réglés, et régler si nécessaire.

## ENVIRONNEMENT

L'unité contient des gaz fluorés à effet de serre visés par le Protocole de Kyoto, qui ne doivent être manipulés ou éliminés que par un personnel qualifié.

MT-AIO contient du **gaz réfrigérant R134A** dans la quantité indiquée dans les spécifications techniques. Ne rejeter R134A dans l'atmosphère : il s'agit d'un gaz à effet de serre fluoré ayant un potentiel de réchauffement global (PRG) = 1430.

## ÉLIMINATION

L'élimination de l'unité, et la manipulation du réfrigérant, de l'huile et d'autres pièces doivent être effectuées conformément à la législation locale et nationale en vigueur.



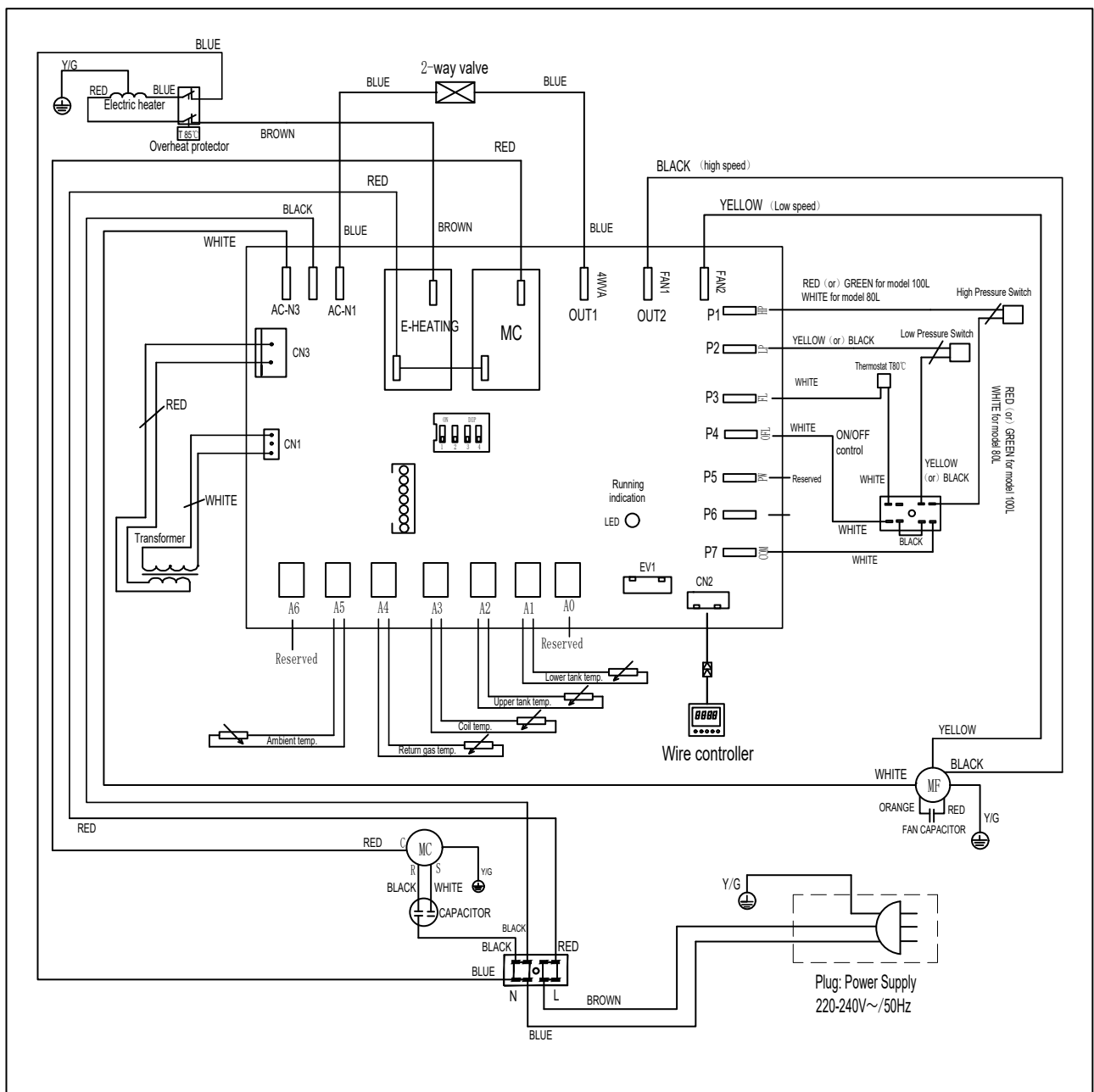
Le produit est marqué de ce symbole. Les produits électriques et électroniques ne doivent pas être éliminés avec les ordures ménagères non triées.

Ne pas tenter de démonter seuls le système : le démantèlement de l'unité, le traitement du réfrigérant, de l'huile et d'autres composants doivent être effectués par un technicien qualifié conformément aux réglementations locales et nationales en vigueur.

Les unités doivent être traitées dans un centre spécialisé de réutilisation, de recyclage et de valorisation. En s'assurant que ce produit est éliminé correctement, il est possible de contribuer à prévenir les conséquences négatives potentielles pour l'environnement et la santé humaine. Prière de contacter le technicien spécialisé ou l'autorité compétente pour plus d'informations.

# SCHÉMA ÉLECTRIQUE

NOTE: pour le modèle 80L il n'y a pas le pressostat haute pression



## SPÉCIFICATIONSTECHNIQUES

DONNÉES TECHNIQUES	UNITÉ DE MESURE	80L	100L
Capacité de chauffage	kW	0.85* (+1.5**)	0.85* (+1.5**)
Classe d'efficacité énergétique		A+*	A+*
COP (ERP)		2.62*	2.62*
Débit d'air (nom.)	m <sup>3</sup> /h	300	300
Puissance nominale	W	250 (+1500**)	250 (+1500**)
Courant nominal	A	1.16* (+6.5**)	1.16* (+6.5**)
Courant maximal	A	1.81(+6.5**)	1.81(+6.5**)
Alimentation électrique	V/Ph/Hz	220-240~/1/50	220-240~/1/50
Température maximale de sortie d'eau (sans réchauffeur électrique)	°C	60	60
Type de gaz réfrigérant / Charge	.../g	R134a/650	R134a/650
Rendement nominal de l'eau	L/H	20	19
Max. Pression de travail de l'eau	Mpa	1.0	1.0
Pression nominale de l'eau	Mpa	0.6	0.6
Soupape de sécurité du point de consigne	Mpa	0.7	0.7
Niveau de puissance acoustique	dB (A)	46	48.5
Poids net	kg	50	58
Dimensions nettes (LxAxP)	mm	φ520x1160	φ520x1368
Taille de l'emballage (LxAxP)	mm	572x572x1295	580x580x1515
* Capacité, puissance d'entrée et classe d'efficacité énergétique du chauffage sur la base de la norme ERP, cycle M et dans les conditions suivantes : Température ambiante 7°C /6°C, Température de l'eau de 10°C à 55°C.			
**Fait référence à la résistance électrique supplémentaire			

## TABLE DE CONVERSION DU CAPTEUR DE TEMPÉRATURE R-T

R 25= 5.0KΩ±1.0% B 25-50 = 3470K±1.0%

°C	Rmin /KΩ	KΩ	Rmax/ KΩ	°C	Rmin /KΩ	KΩ	Rmax/ KΩ	°C	Rmin /KΩ	KΩ	Rmax/ KΩ
-20	36 195	37 303	38 441	21	5 779	5 847	5 914	62	1 343	1 374	1 406
-19	34 402	35 437	36 499	22	5 558	5.62	5 683	63	1 301	1 331	1 362
-18	32 709	33 676	34 668	23	5 346	5 404	5 463	64	1.26	1.29	1 321
-17	31 109	32 012	32 939	24	5 144	5 198	5 252	65	1 221	1.25	1.28
-16	29 597	30 441	31 306	25	4.95	5	5.05	66	1 183	1 212	1 242
-15	28 168	28 957	29 765	26	4 761	4 811	4 861	67	1 147	1 175	1 204
-14	26 816	27 554	28 308	27	4.58	4.63	4.68	68	1 111	1 139	1 168
-13	25 538	26 227	26 932	28	4 408	4 457	4 507	69	1 077	1 105	1 133
-12	24 328	24 972	25 631	29	4 242	4 292	4 341	70	1 045	1 072	1 099
-11	23 183	23 785	24.4	30	4 084	4 133	4 182	71	1 013	1.04	1 067
-10	22 098	22 661	23 236	31	3 933	3 981	4.03	72	0 983	1 009	1 035
-9	21 071	21 598	22 135	32	3 788	3 836	3 885	73	0 953	0 979	1 005
-8	20 098	20.59	21 093	33	3 649	3 697	3 745	74	0 925	0.95	0 975
-7	19 176	19 636	20 106	34	3 516	3 563	3 611	75	0 897	0 922	0 947
-6	18 301	18 732	19 171	35	3 388	3 435	3 483	76	0 871	0 895	0 919
-5	17 472	17 875	18 285	36	3 266	3 313	3.36	77	0 845	0 869	0 893
-4	16 686	17 063	17 446	37	3 149	3 195	3 241	78	0.82	0 843	0 867
-3	15.94	16 292	16.65	38	3 037	3 082	3 128	79	0 796	0 819	0 842
-2	15 231	15 561	15 896	39	2 929	2 974	3 019	80	0 773	0 795	0 818
-1	14 559	14 867	15.18	40	2 826	2.87	2 915	81	0 751	0 773	0 795
0	13.92	14 208	14 501	41	2 726	2.77	2 815	82	0 729	0 751	0 773
1	13 313	13 582	13 856	42	2 631	2 675	2 718	83	0 708	0 729	0 751
2	12 736	12 988	13 244	43	2.54	2 583	2 626	84	0 688	0 709	0.73
3	12 188	12 423	12 662	44	2 452	2 494	2 537	85	0 668	0 689	0 709
4	11 666	11 887	12.11	45	2 368	2 409	2 451	86	0 649	0 669	0.69
5	11.17	11 376	11 585	46	2 287	2 328	2 369	87	0 631	0 651	0 671
6	10 698	10 891	11 086	47	2 209	2.25	2.29	88	0 613	0 632	0 652
7	10 249	10 429	10 611	48	2 135	2 174	2 214	89	0 596	0 615	0 634
8	9 822	9.99	10.16	49	2 063	2 102	2 141	90	0 579	0 598	0 617
9	9 414	9 572	9.73	50	1 994	2 032	2 071	91	0 563	0 581	0.6
10	9 027	9 173	9 321	51	1 927	1 965	2 003	92	0 548	0 566	0 584
11	8 657	8 794	8 932	52	1 863	1 901	1 938	93	0 533	0.55	0 568
12	8 305	8 432	8 561	53	1 802	1 839	1 876	94	0 518	0 535	0 553
13	7 969	8 088	8 208	54	1 743	1 779	1 815	95	0 504	0 521	0 538
14	7 648	7.76	7 872	55	1 686	1 721	1 757	96	0.49	0 507	0 524
15	7 343	7 446	7 551	56	1 631	1 666	1 701	97	0 477	0 493	0.51
16	7 051	7 148	7 245	57	1 579	1 613	1 647	98	0 464	0.48	0 496
17	6 773	6 863	6 953	58	1 528	1 561	1 595	99	0 452	0 467	0 483
18	6 507	6.5911	6 675	59	1 479	1 512	1 545	100	0 439	0 455	0.47
19	6 253	6 331	6.41	60	1 432	1 464	1 497				
20	6 011	6 083	6 156	61	1 386	1 418	1 451				

**Remarques**

.....  
.....  
.....  
.....  
.....  
.....  
.....  
.....  
.....  
.....  
.....  
.....  
.....  
.....  
.....  
.....  
.....  
.....  
.....  
.....  
.....  
.....  
.....  
.....  
.....  
.....  
.....  
.....  
.....  
.....  
.....  
.....  
.....  
.....  
.....  
.....  
.....  
.....  
.....  
.....  
.....  
.....  
.....  
.....  
.....





